

AEROFORCE[®]



Side-to-Side

Tarp Solutions



REVOLUTIONARY NEW TARP SYSTEM

AEROFORCE S2S

Side-to-Side Tarp System

A revolutionary new tarp system built from the ground up, delivering the ultimate in versatility, durability, and performance.

This AeroForce side-to-side tarp system is designed for multiple trailer configurations including end dump and refuse, so no matter what the application, we have the right tarp system for you.



AEROFORCE[®] S2S

1

OUR REVOLUTIONARY INTERNAL COMPRESSION SPRING TECHNOLOGY IS BUILT FOR THE LONG HAUL

Our patent pending internal compression spring technology is engineered to perform in even the harshest operating conditions. The heavy duty, all aluminum arm construction protects the spring from road and environmental elements, ensuring maximum spring longevity.

Minimizes spring fatigue and tension loss over time

1 compression spring = 8 clock springs

Shown with optional AeroMax motor



=



8x

STRONGER

AeroForce
compression spring

competitor's
clock spring

*Patents Pending

2

ATTRACTIVE AND LOW PROFILE – OUR OPTIONAL AEROMAX MOTOR TECHNOLOGY IS AN INDUSTRY GAME CHANGER

AeroForce is easily installed to the trailer front and tailgate. The AeroMax motor design allows for snug installation (3.25") against the trailer, greatly reducing the opportunity for damage. A Gore-Tex® vent and an internal fan ensure the motor remains cool and free of moisture at all times.

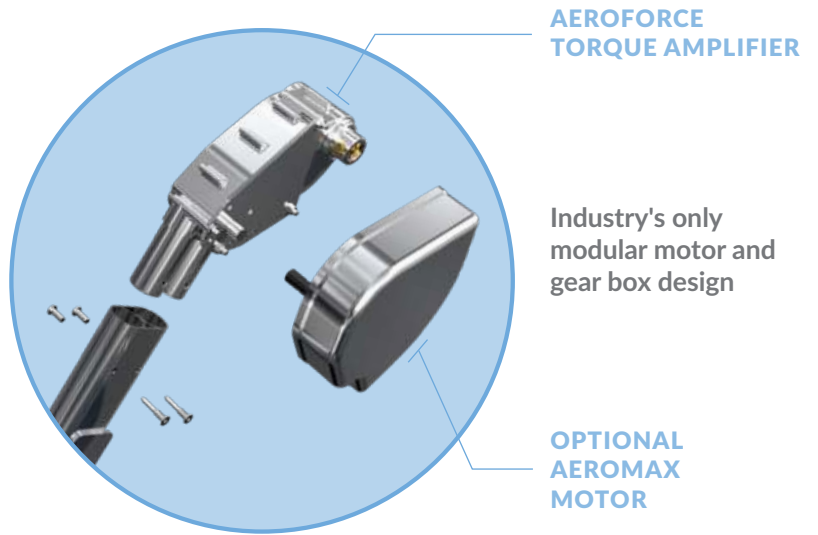
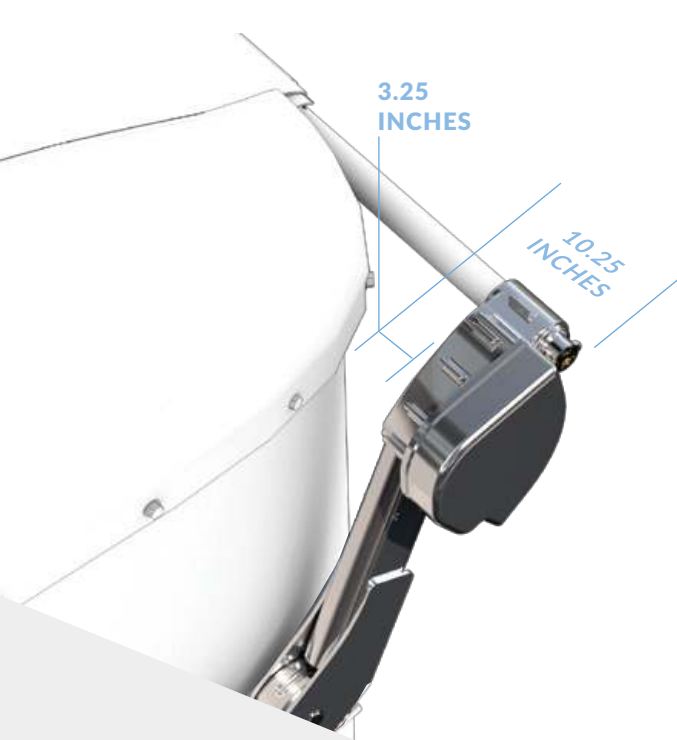
All metal construction

Maintains 3" width

Gore-Tex® vent and internal fan keep motor cool and dry under the harshest of conditions

Built-in manual override

Self-locking gears—no mechanical or magnetic brake

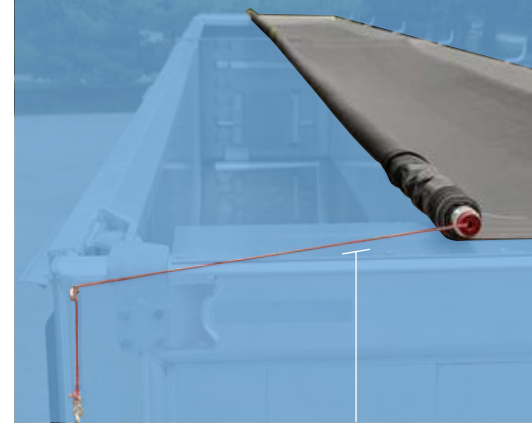


3

FITS TIGHT TO THE TRAILER MINIMIZING DAMAGE RISK

Built from all metal construction, our unique torque amplifier was designed to maintain 3" width clearance requirements when in the open or closed position.





CHAIN ALLOWS FOR
MAXIMUM TAIL GATE OPENING

OPTIONAL INTERNAL TENSIONER

4

FORCELINK REAR ARM ASSEMBLY IS RUGGED YET PROVIDES FLEXIBILITY

The unique chain design of the ForceLink rear arm allows for use on overslung tailgates, as well as full rotation of side swing and bi-fold doors.

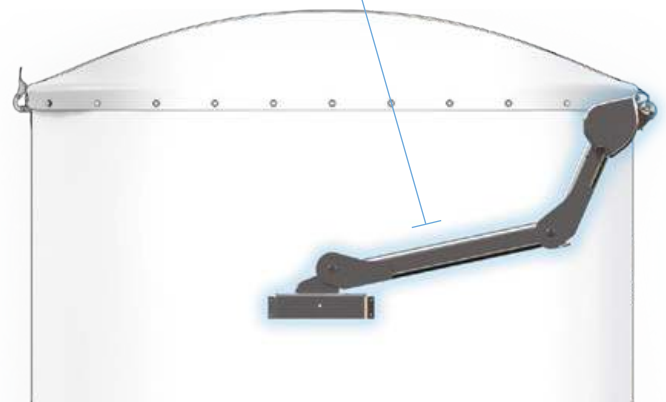
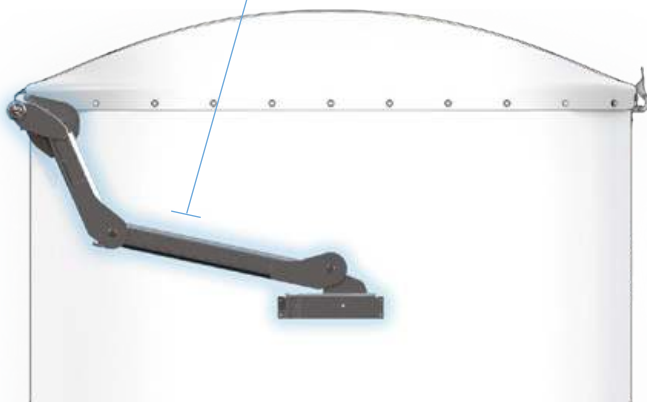
5

MODULAR DESIGN ALLOWS FOR INSTALLATION FLEXIBILITY

The AeroForce pivots were designed for ease of installation and total installation flexibility. Using the same components, the tarp can be installed as either a standard roll or reverse roll. The modular design was purposely engineered to utilize like componentry on both the front and rear.

REVERSE ROLL
ASSEMBLY

STANDARD ROLL
ASSEMBLY





S2S

Side-to-Side



- Revolutionary compression spring technology
- Heavy duty, all metal motor and torque amplifier, no brake
- Maintains 3" width clearance when open or closed
- Modular design allows for installation flexibility
- Available with RF and current sense technology

Revolutionary compression spring technology

8x stronger arm

Engineered to maximize spring longevity

Designed to provide 2x the downforce

Built for 13' to 53' applications

Available with RF and current sense technology



F2B

Front-to-Back

Revolutionary compression spring technology

Greater clearance versatility and strength

8x stronger arm

Wireless control capability



ROC

Roll-off Container

LOCATIONS

INDIANAPOLIS, IN
800.535.9545

OMAHA, NE
800.535.8552

KENT, OH
888.237.2262