



Tarp System, TarpMaster Adjustable Tower with Pump & Control Box



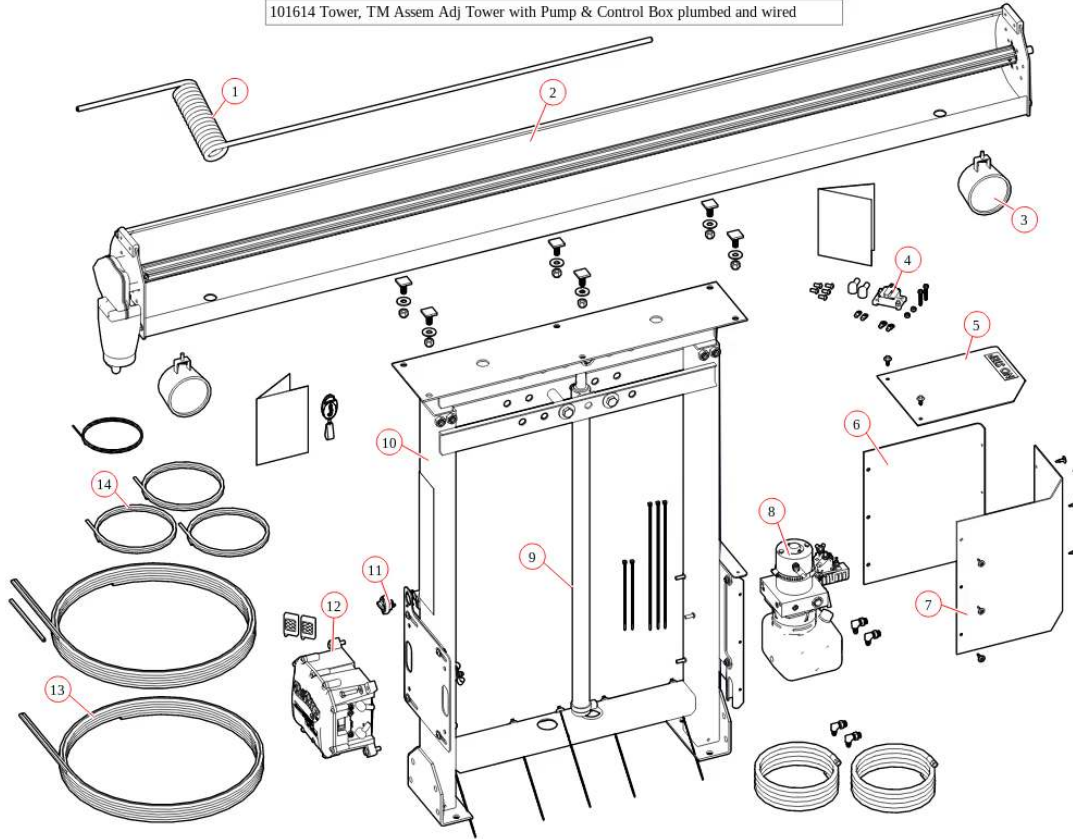
Product #: 101614



Bill of Materials List

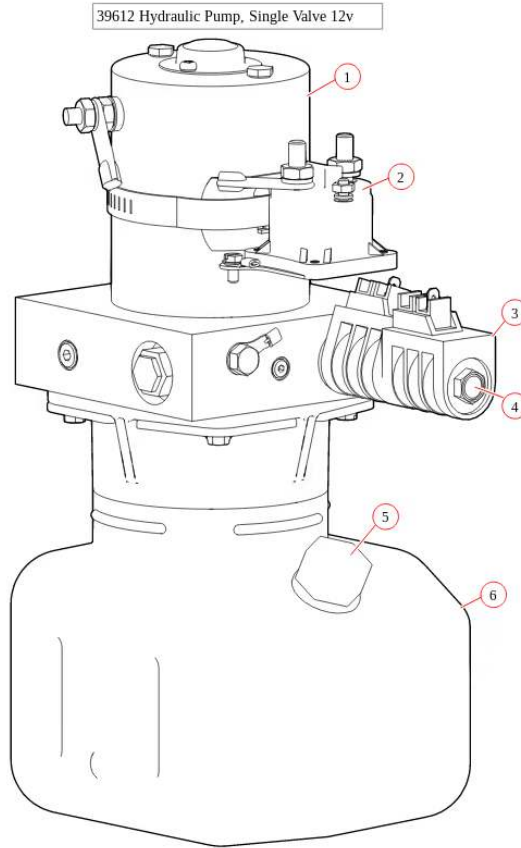
101614

101614 Tower, TM Assem Adj Tower with Pump & Control Box plumbed and wired



Bom Id	Part #	Description	Qty
1	11328	Wire. 2 Stage Tower Coil 110" - Assembled	1
2	36484	Spool Kit. TarpMaster Tarp Spool w/98" Integrated 98" Housing for 1 Tower	1
3	104103	Light. Work Light LED 12V	2
4	17913	Breaker. 100 amp Manual Reset Breaker Kit for 24V & 12V Integrated pump	1
5	10778	Bracket. Steel Vert Pump Mount Cover	1
7	39615	PUMP COVER. POLY SIDE COVER FOR VERT MOUNT PUMP	1
8	39612	Hydraulic Power Unit. 12V. 1 Valve	1
9	39520	Cylinder. 1.5" Bore x 36" Stroke DA. Single Flange Mount	1
10	39004	Tower. Stationary Tower for Integrated Housing	1
11	17918	Breaker. 35A Outdoor Manual Reset Circuit Breaker	1
12	19865	Control Box. Wireless Black Control Box - 12/24V Waste	1
13	11330	Wire. 6 Ga. Dual Conductor - (per ft)	1
14	11345	Wire. 16 ga. 2-Conductor (per foot)	1

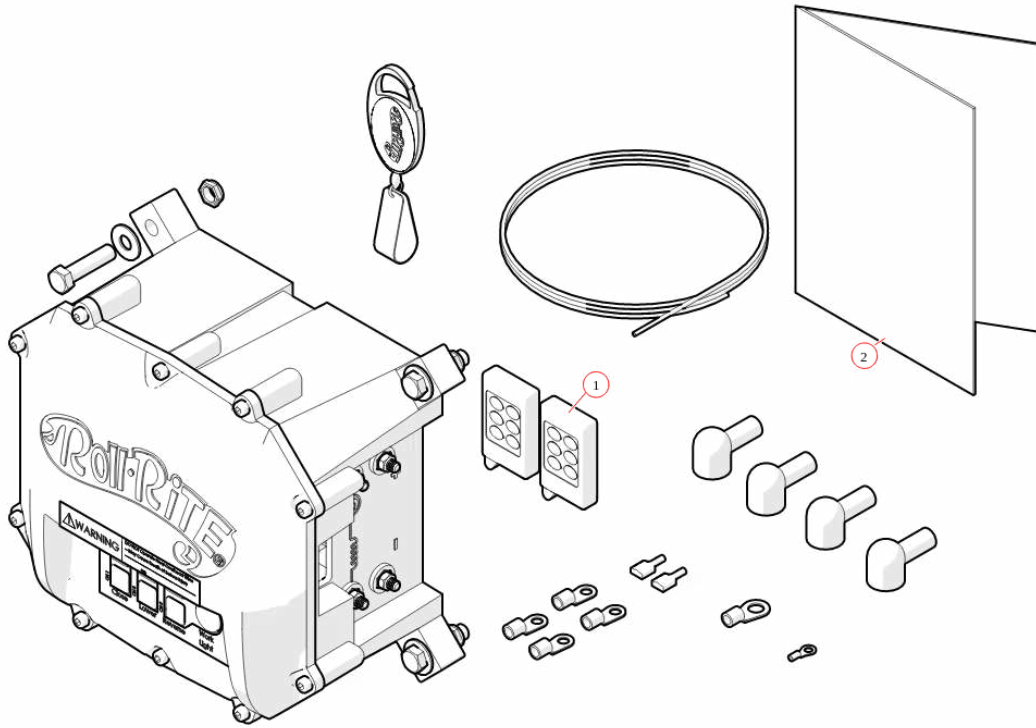
39612



Bom Id	Part #	Description	Qty
1	102832	Motor. Replacement Motor for Hydraulic Pump 12 V (39612 & 39712) MTE39200513	1
2	102079	Solenoid. 12VDC Start Switch for Power Unit (39612 & 39712) MTE39002136	1
3	102078	Coil. 12VDC for Power Unit (39612 & 39712) MTE39002301	2
4	102080	Valve. 3P4W Tandem Center Directional Power Unit (39612)MTE38502324	1
5	102073	Cap Kit (Cap and Rubber Grommet)	1
6	102074	Tank Kit. 1 Gallon MTE	1

19865

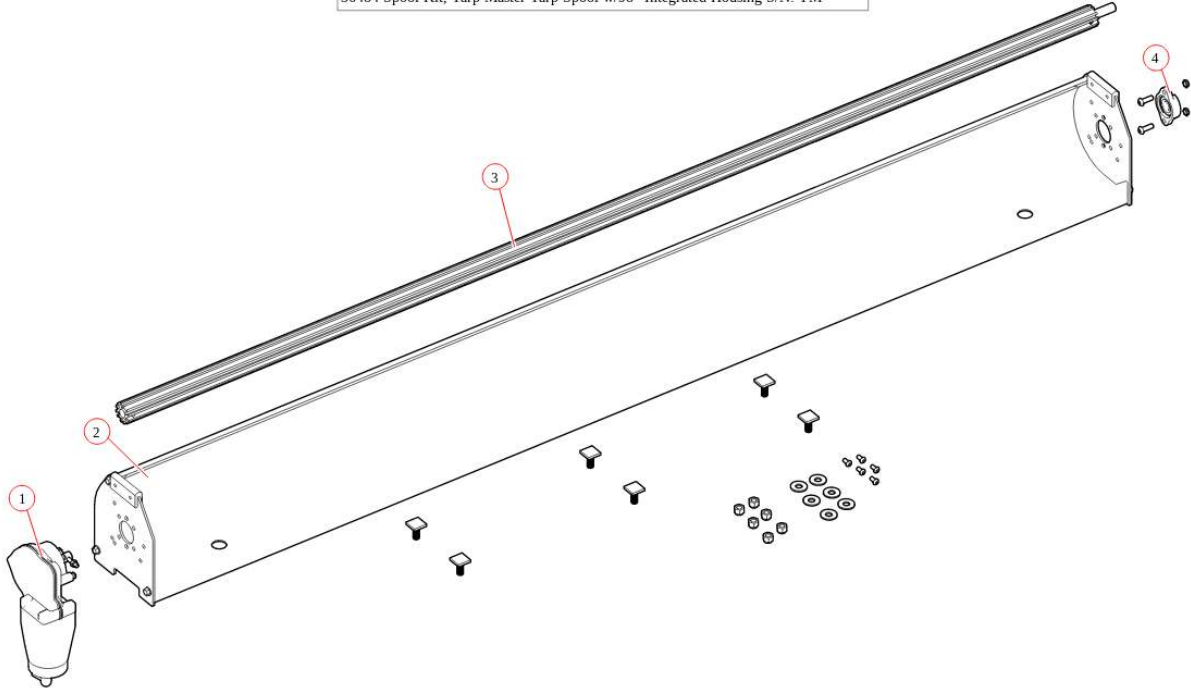
19865 Control Box, wireless Black Control Box for Waste, 12 V



Bom Id	Part #	Description	Qty
1	19801	RF Transmitter/FOB. 433MHz. Gen1 Motor Relay	2
2	101786	Instructions. Push button Control Box	1

36484

36484 Spool Kit, Tarp Master Tarp Spool w/98" Integrated Housing S/N: TM



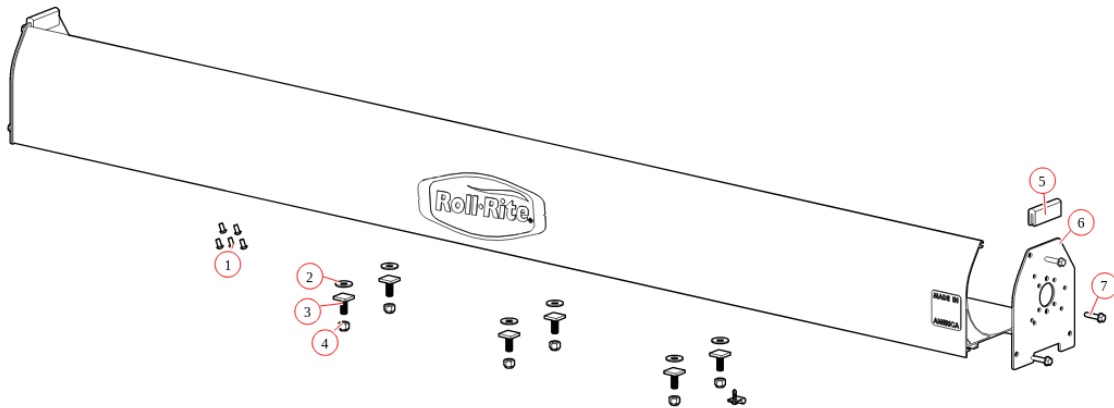
Bom Id	Part #	Description	Qty
1	10310	TarpMaster Motor 12V. 5 Year Warranty :S/N:	1
2	36164	Housing. Spool 98" Aluminum Integrated Housing	1
3	31030	Axle. 97" Pre-Threaded Tarp Axle w/Stub Shaft	1
4	31050	Bearing. 3/4" Flanged Axle Bearing with bolts	1



Bill of Materials List

36164

36164 Housing, Spool 98" Aluminum Integrated Housing



Bom Id	Part #	Description	Qty
1	18260	Bolt. 5/16" x 5/8" Button Head Bolt - Zinc Plated	5
2	18412	Washer. 1/2" Flat Zinc	6
3	18245	Bolt. T-Bolt 1/2-13NCx1.75 for GAB	6
4	18631	Nut. 1/2" Nylock Nut	6
5	36300	Bumper. Rubber Bumper for Tarp Spool (each)	2
6	36331	Bracket. Int Housing Aluminum Endcaps - Drivers Side	2
7	18120	Bolt. 3/8" x 1-1/2" Thread Cutting Screw Hex Washer Hd	6