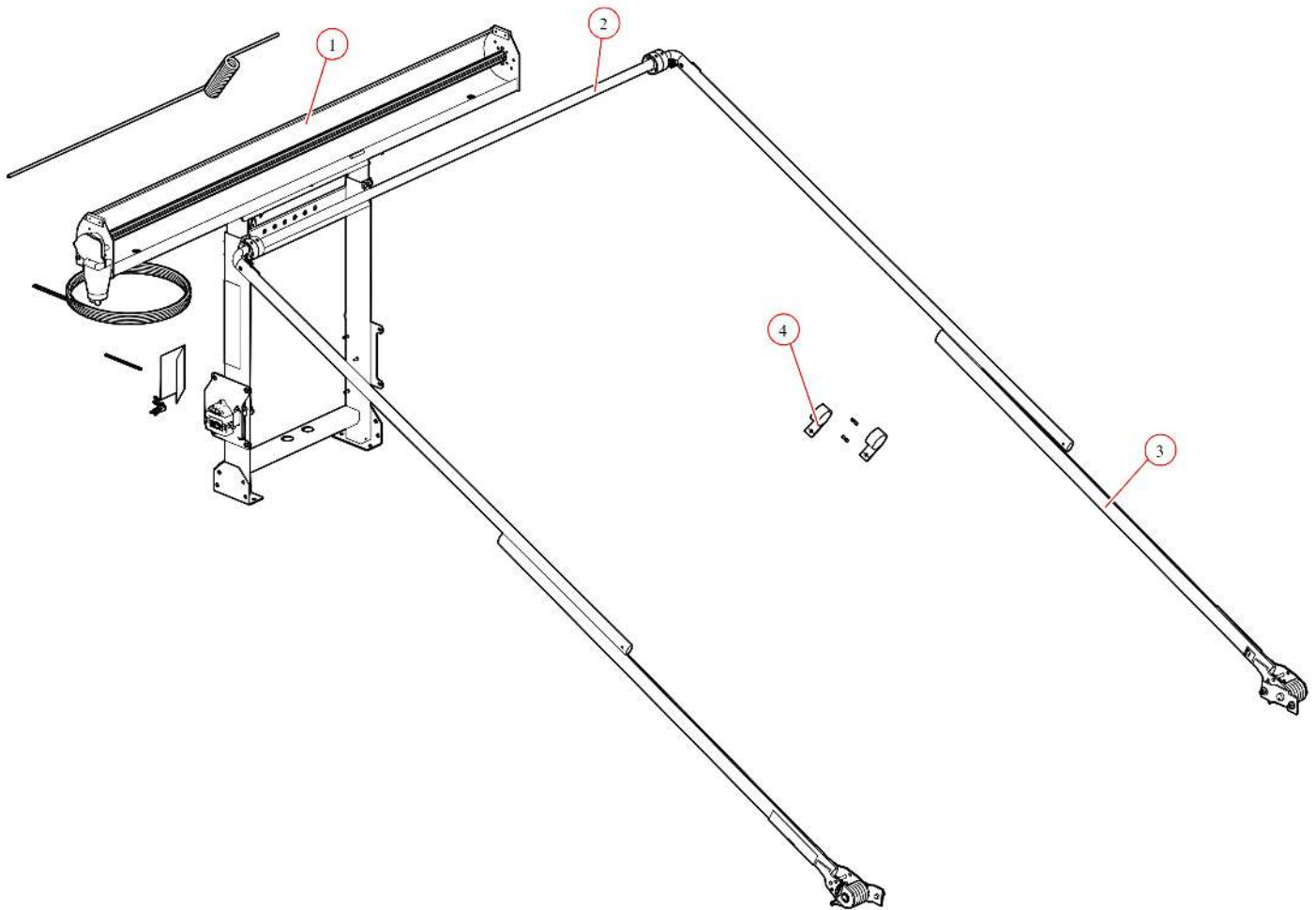




[DC200. TM Stationary Tower. 5 Spring 84" Ext Pivot. Wide Bow](#)
[Set](#)

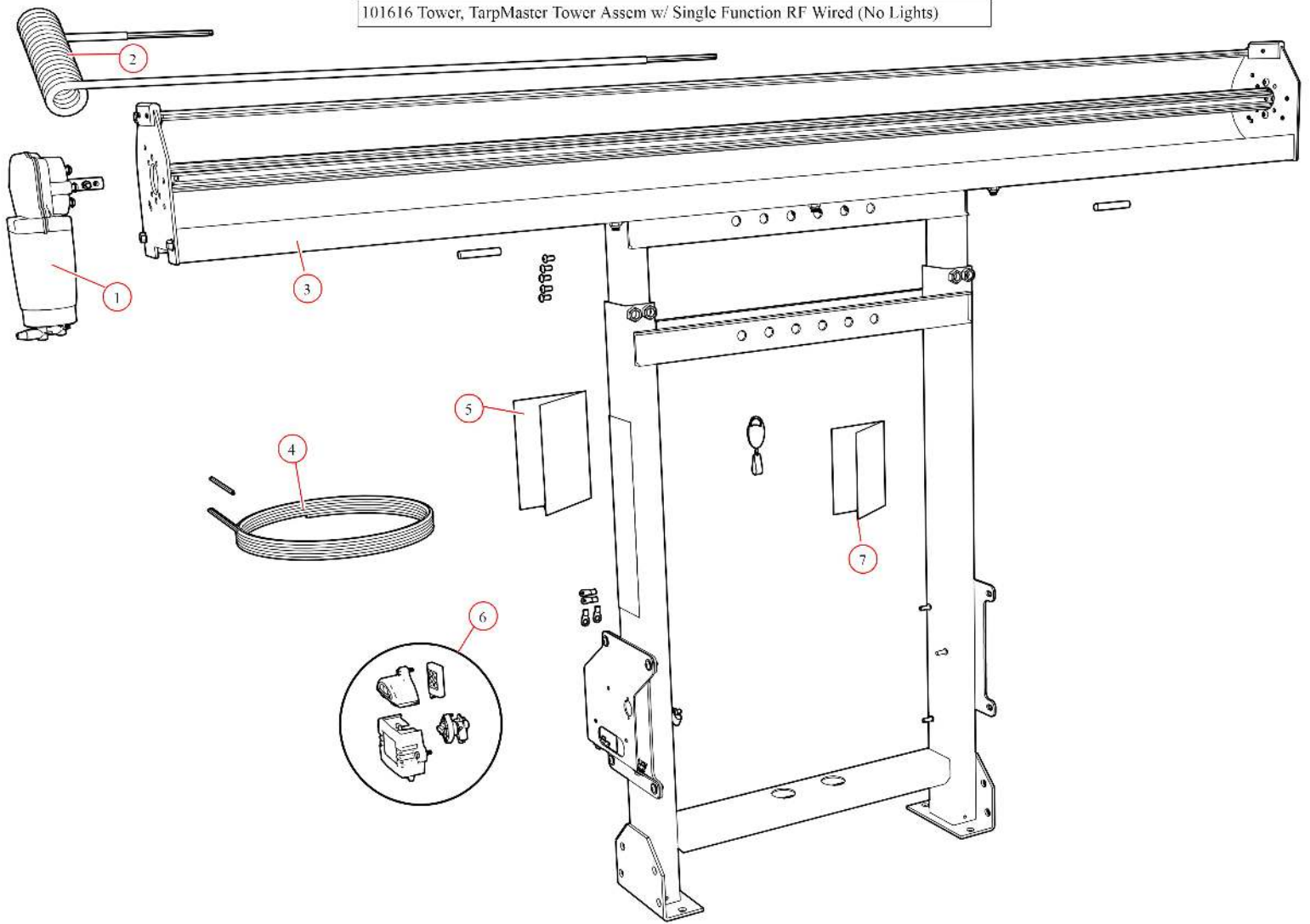
Part Number: 69200

69200 Tarp System, DC200 w/5 Spring External Pivot & Stationary Tower



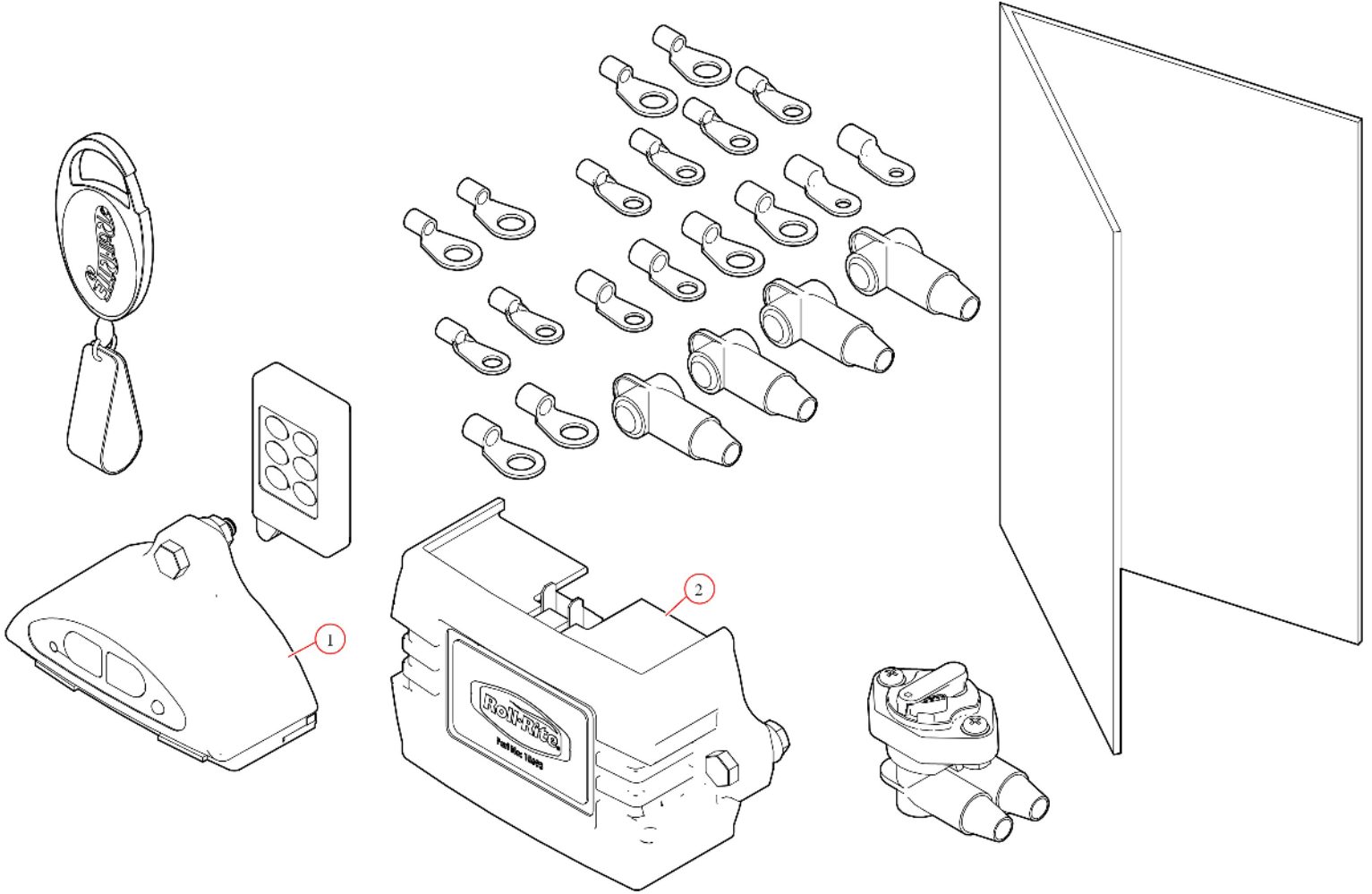
Bom ID	Part#	Description	qty
1	101616	Tower Assembly. TarpMaster Stationary Tower w/ Single Function R...	1
2	76720	Bow Set. 103 1/2" Wide Top Tube and 103 1/2" Side Arms	1
3	46450	Pivot Set. 5 Spring w/ 84" Aluminum Pivot Tube	1
4	76831	Bracket. Pivot Arm Tie Down	2

101616 Tower, TarpMaster Tower Assem w/ Single Function RF Wired (No Lights)



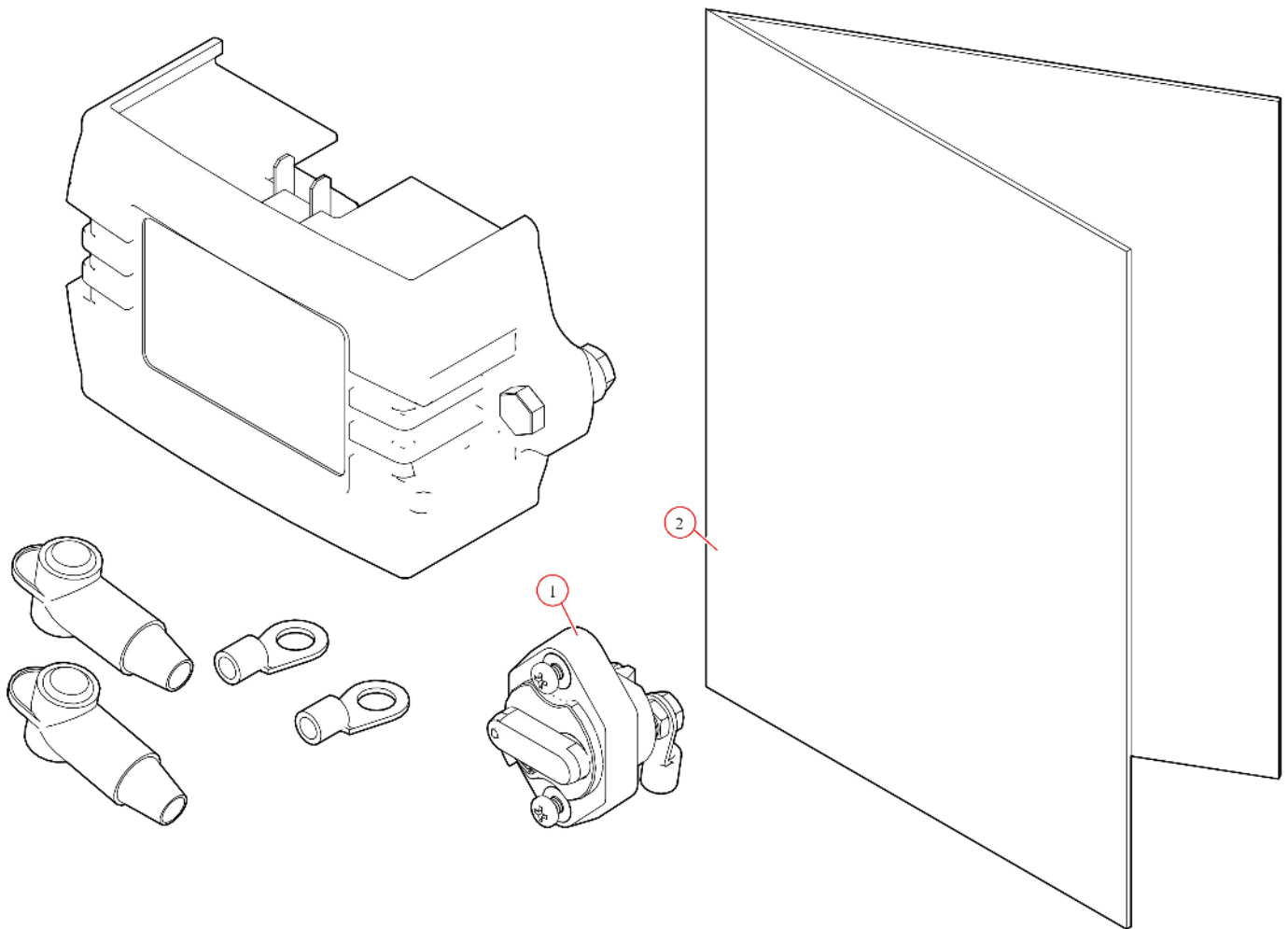
Bom ID	Part#	Description	qty
1	10310	TarpMaster Motor 12V. 5 Year Warranty :S/N:	1
2	11328	Wire. 2 Stage Tower Coil 110" - Assembled	1
3	36164	Housing. Spool 98" Aluminum Integrated Housing	1
4	11330	Wire. 6 Ga. Dual Conductor - (per ft)	1
5	101630	Instructions. DC Series Installation	1
6	10912	Electric Kit. 12V With 10698 Relay and RF	1
7	101629	Instructions. DC Series Operating Manual	1

10912 Electric Kit, 12V With 10698 Relay and RF



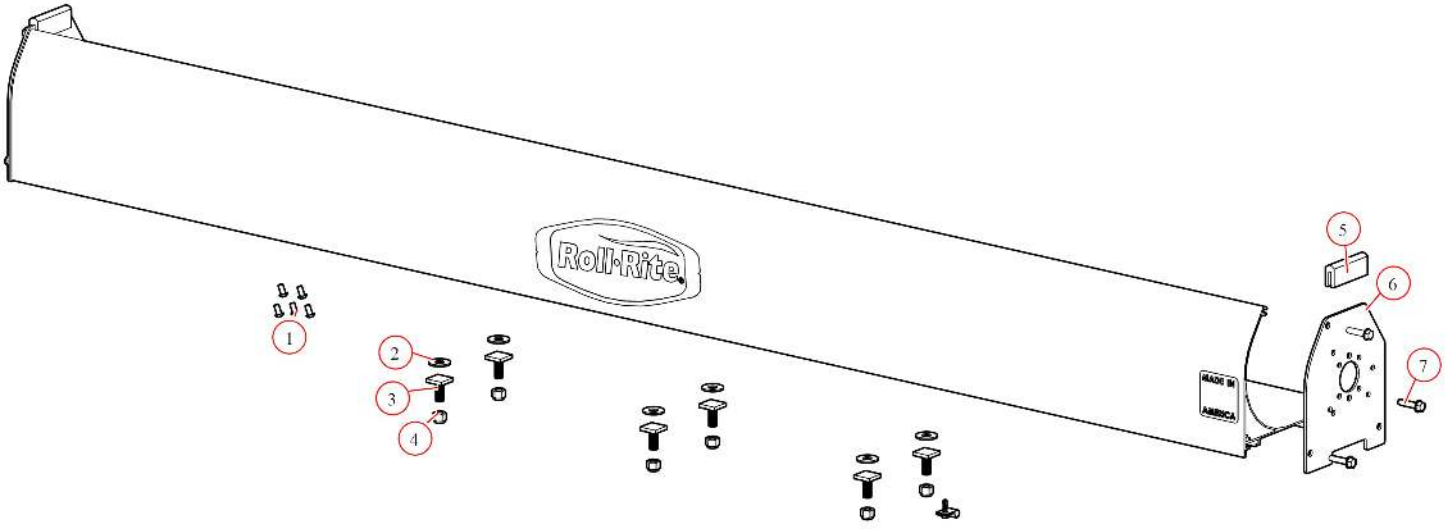
Bom ID	Part#	Description	qty
1	11000	Switch Kit. RF Receiver w/ keyfob & lanyard	1
2	10695	Relay Kit. HD Mechanical Relay w/ 35 Amp Manual Reset Breaker &...	1

10695 Relay, HD(12V) w/ 35 amp Manual Reset Breaker & Terminal



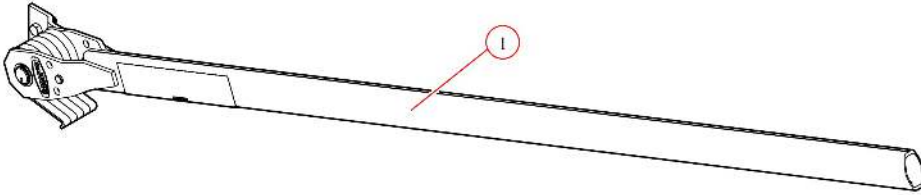
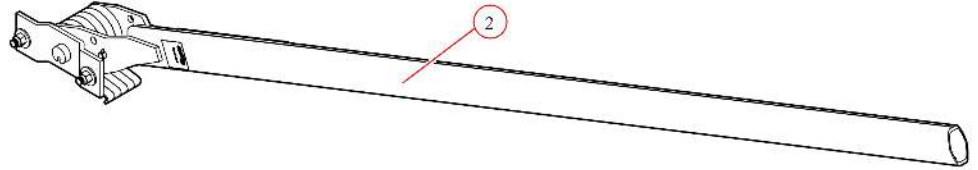
Bom ID	Part#	Description	qty
1	17918	Breaker. 35A Outdoor Manual Reset Circuit Breaker	1
2	101784	Instructions. 10698 12 volt wiring Diagram	1

36164 Housing, Spool 98" Aluminum Integrated Housing



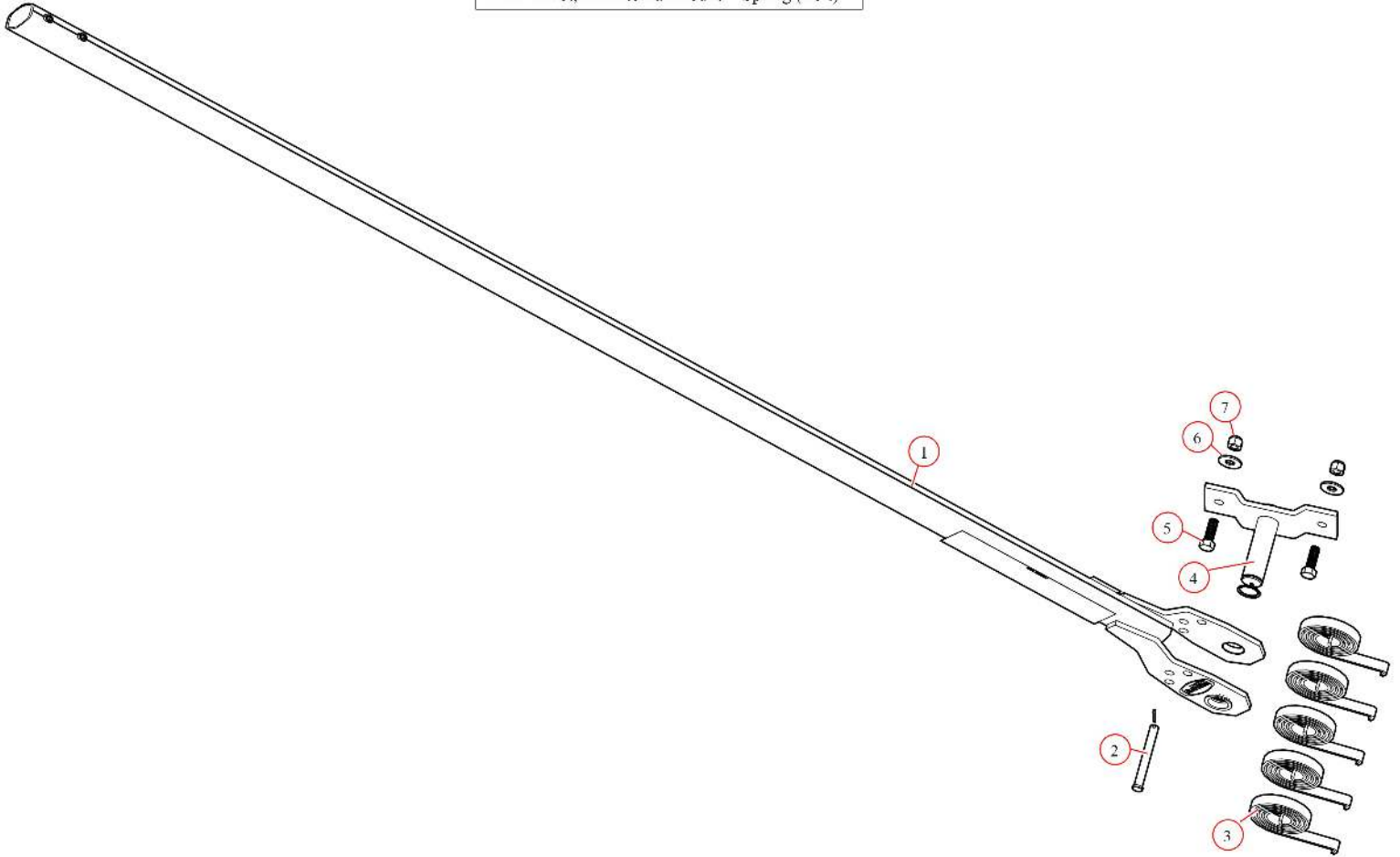
Bom ID	Part#	Description	qty
1	18260	Bolt. 5/16" x 5/8" Button Head Bolt - Zinc Plated	5
2	18412	Washer. 1/2" Flat Zinc	6
3	18245	Bolt. T-Bolt 1/2-13NCx1.75 for GAB	6
4	18631	Nut. 1/2" Nylock Nut	6
5	36300	Bumper. Rubber Bumper for Tarp Spool (each)	2
6	36331	Bracket. Int Housing Aluminum Endcaps - Drivers Side	2
7	18120	Bolt. 3/8" x 1-1/2" Thread Cutting Screw Hex Washer Hd	6

46450 Pivot Set, 5 Spring w/ 84" Aluminum Pivot Tube



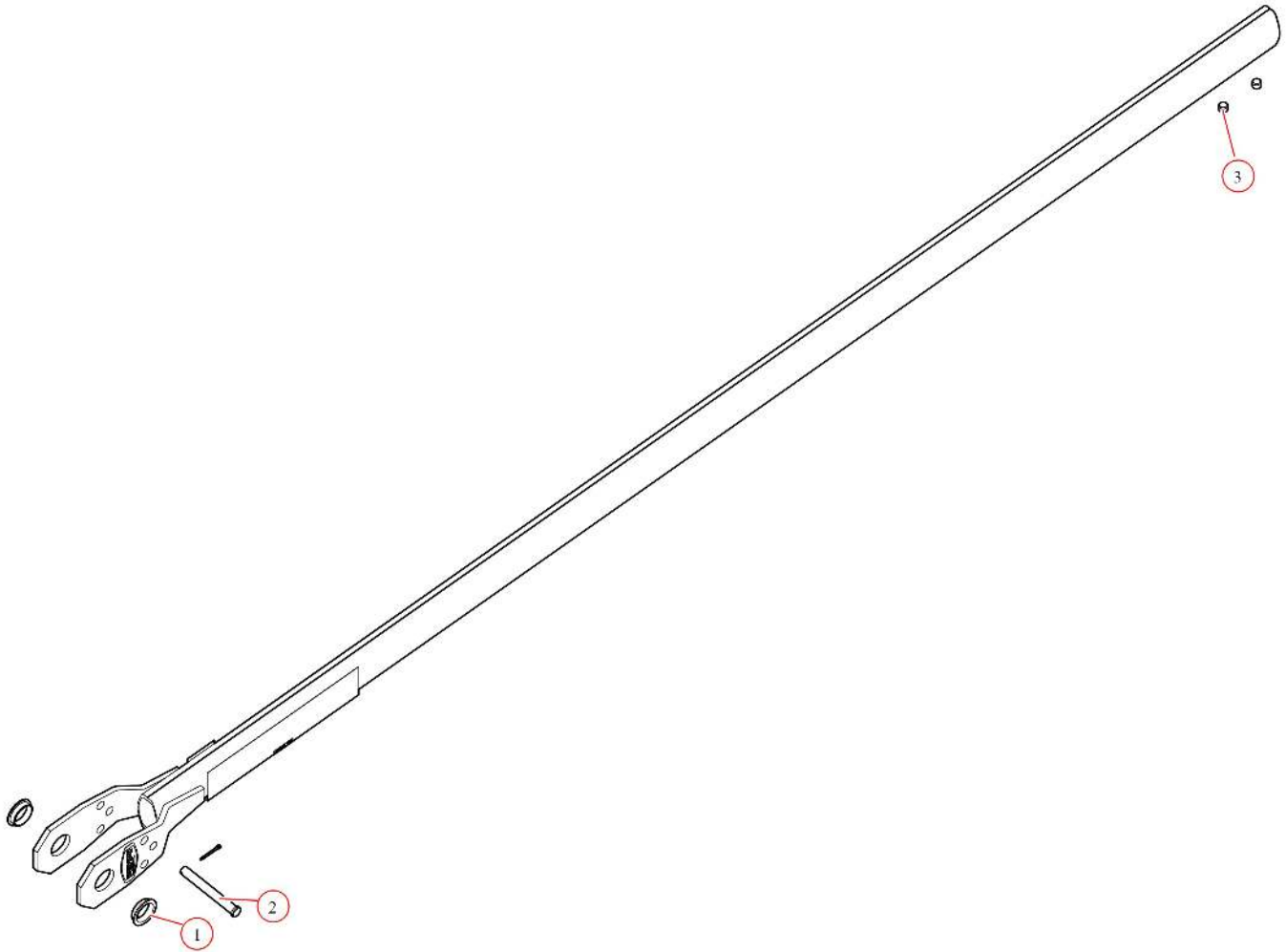
Bom ID	Part#	Description	qty
1	4645D	Pivot. AL External Mount 5-Spring(Drivers Side)	1
2	4645P	Pivot. AL External Mount 5-Spring (Passenger)	1

4645D Pivot, Al External Mount 5-Spring (Left)



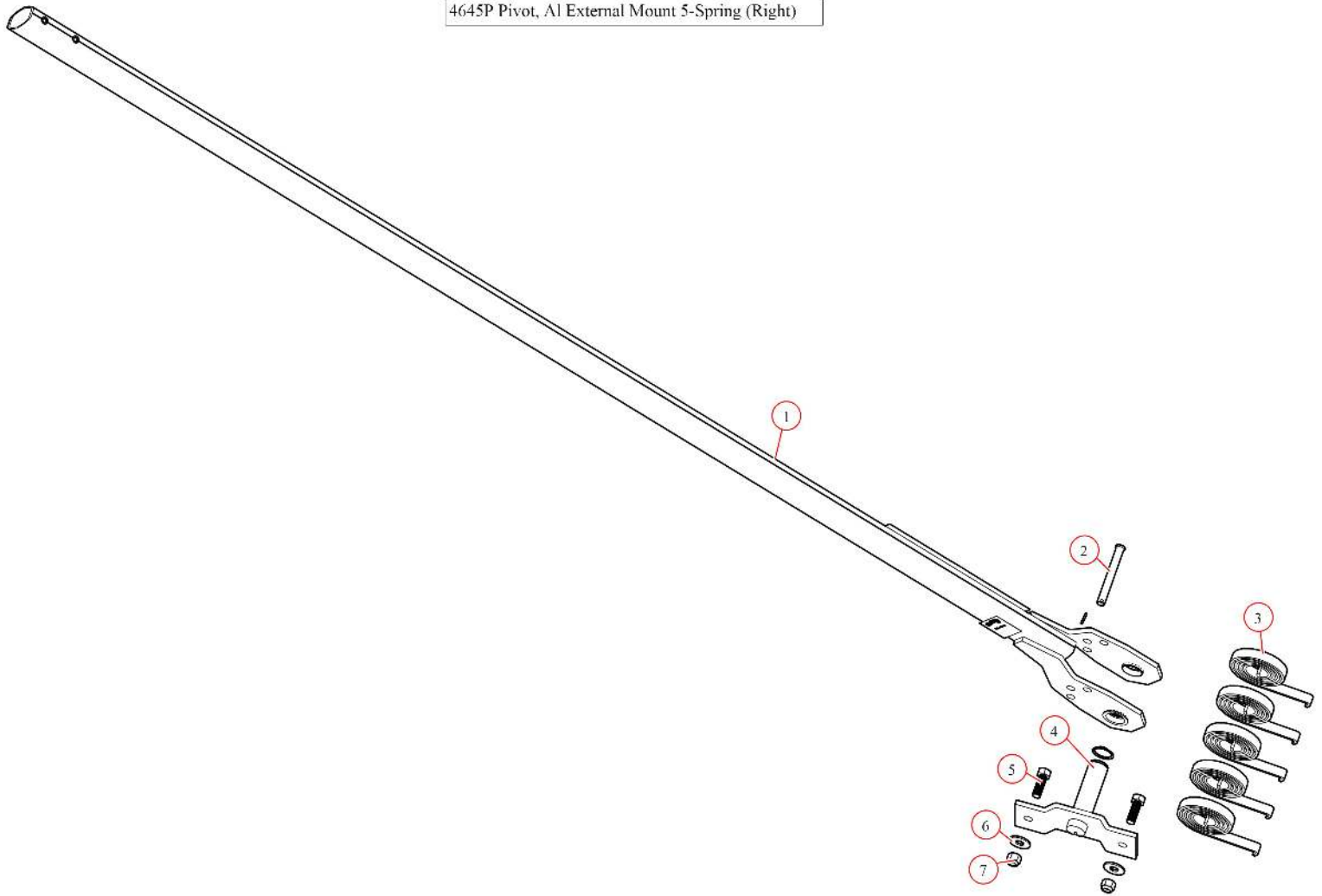
Bom ID	Part#	Description	qty
1	46150	Pivot Tube. w/ side plates. set screws for 5-spr ex	1
2	18560	Pin. 1/2 x 4 1/8 Special Clevis	1
3	47230	Spring. Spiral Torsion Spring 1 1/4"	5
4	45350	Pivot Pin. 5-Spring	2
5	18296	Bolt. 1/2" x 1 1/2" Hex Head Bolt	2
6	18412	Washer. 1/2" Flat Zinc	2
7	18631	Nut. 1/2" Nylock Nut	2

46150 Pivot Tube, w/ side plates, set screws for 5-spr ex



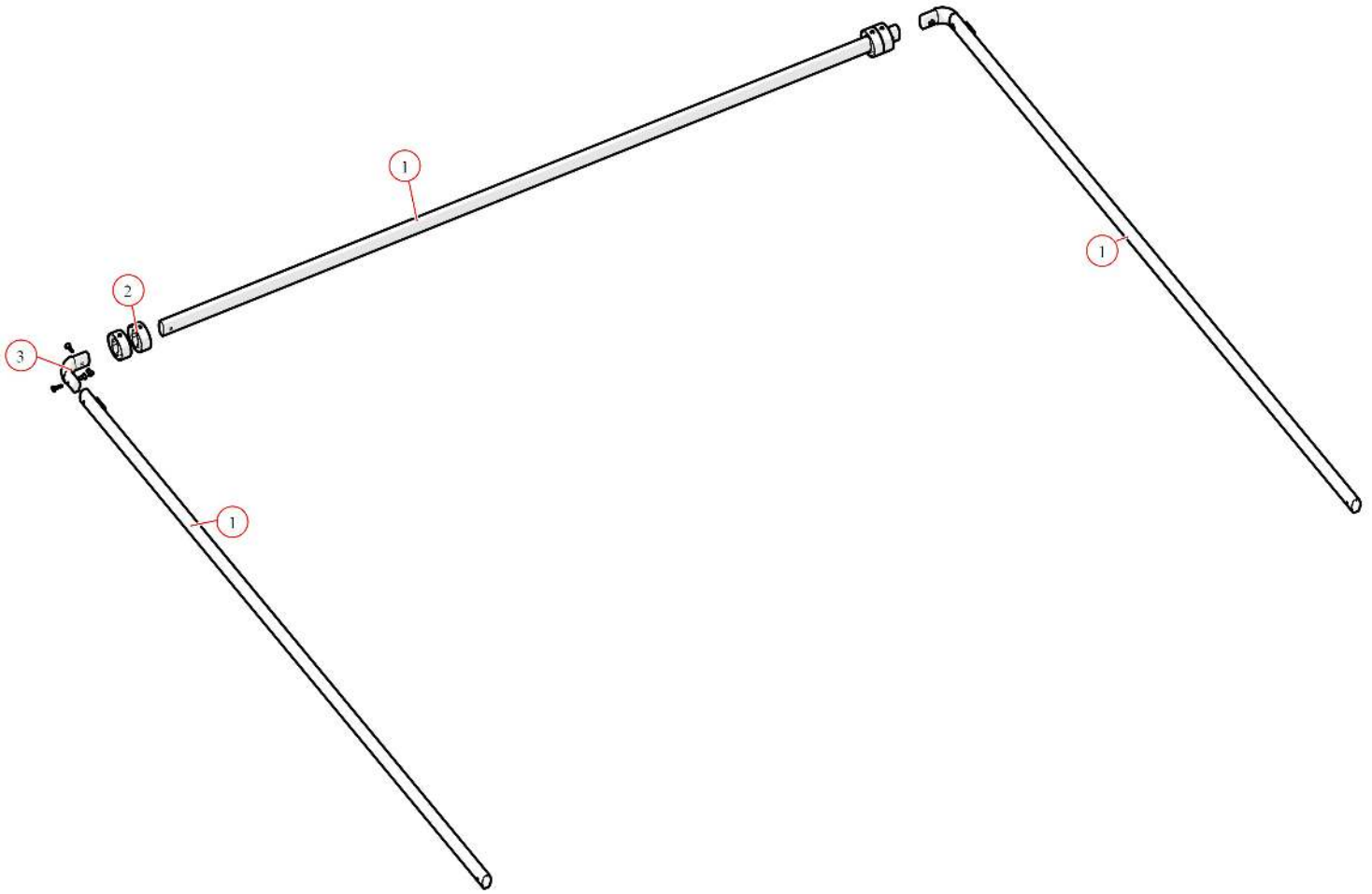
Bom ID	Part#	Description	qty
1	47040	Bushing. 1 1/4 Poly T- Bushing for Pivot Pin	2
2	18560	Pin. 1/2 x 4 1/8 Special Clevis	1
3	18293	Screw. 1/2" x 3/8" Set Screw	2

4645P Pivot, Al External Mount 5-Spring (Right)



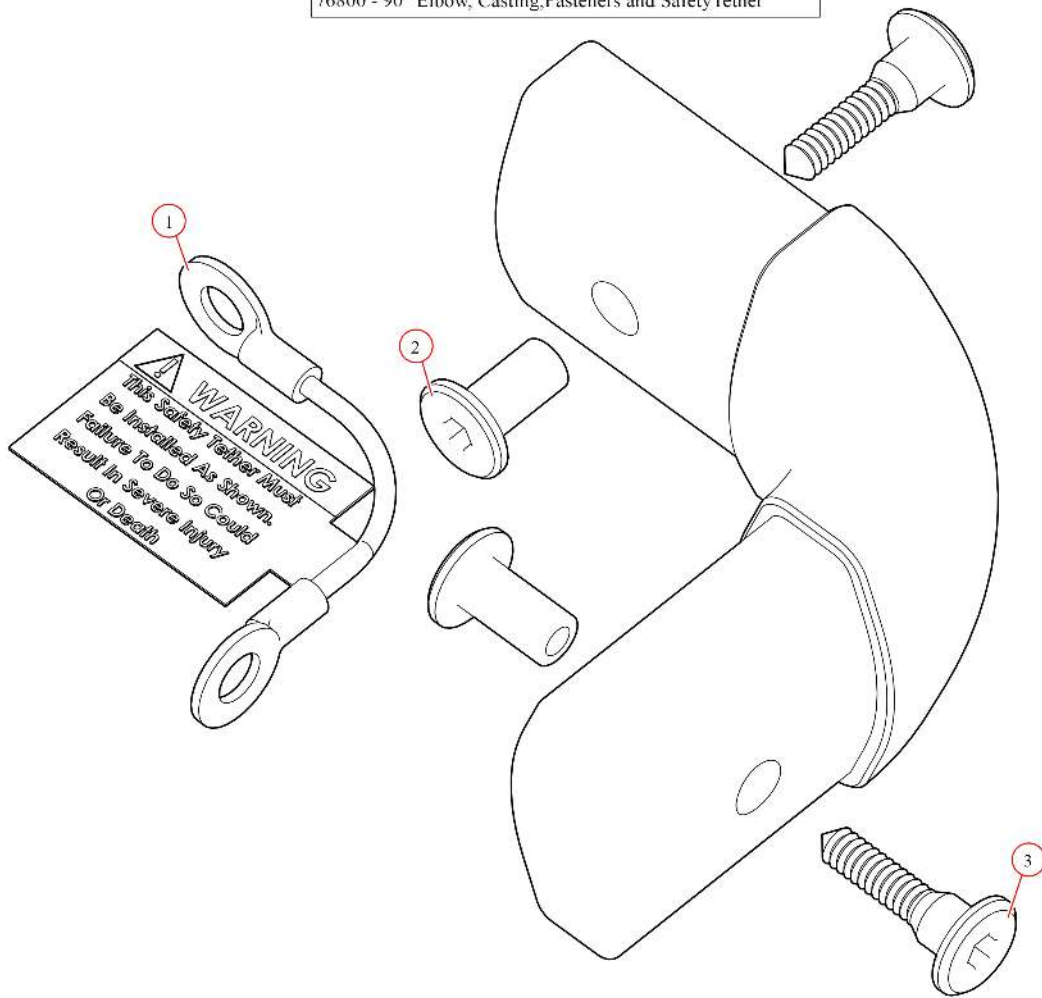
Bom ID	Part#	Description	qty
1	46150	Pivot Tube. w/ side plates. set screws for 5-spr ex	1
2	18560	Pin. 1/2 x 4 1/8 Special Clevis	1
3	47230	Spring. Spiral Torsion Spring 1 1/4"	5
4	45350	Pivot Pin. 5-Spring	1
5	18296	Bolt. 1/2" x 1 1/2" Hex Head Bolt	2
6	18412	Washer. 1/2" Flat Zinc	2
7	18631	Nut. 1/2" Nylock Nut	2

76720 Bow Set, 103 1/2" Wide Top Tube w/ 98" Bow Arms



Bom ID	Part#	Description	qty
1	76870	Bow Tube. 103 1/2" AL Wide Top Tube for Tarp Bow	3
2	76810	Tarp Flange for Bow Tube (Pair)	2
3	76800	Casting. Aluminum Corner - 90 Degree With Fasteners and Tether	2

76800 - 90° Elbow, Casting, Fasteners and Safety Tether



Bom ID	Part#	Description	qty
1	103533	Tether. Cable with Install Label for 90 degree corner	1
2	18719	Nut. 1/4-20 Cap Conn Nut Clear Zinc - Post bolt for 90 degree corne...	2
3	18718	Bolt. 1/4-20 x 1 3/16 Bolt Clear Zinc - Post bolt for 90 degree corners	2