



Bill of Materials List

DC204, TM Single Stage Narrow Tower, 5 Spring 84" Ext
Pivot, 45° elbows, Wide Bow Set



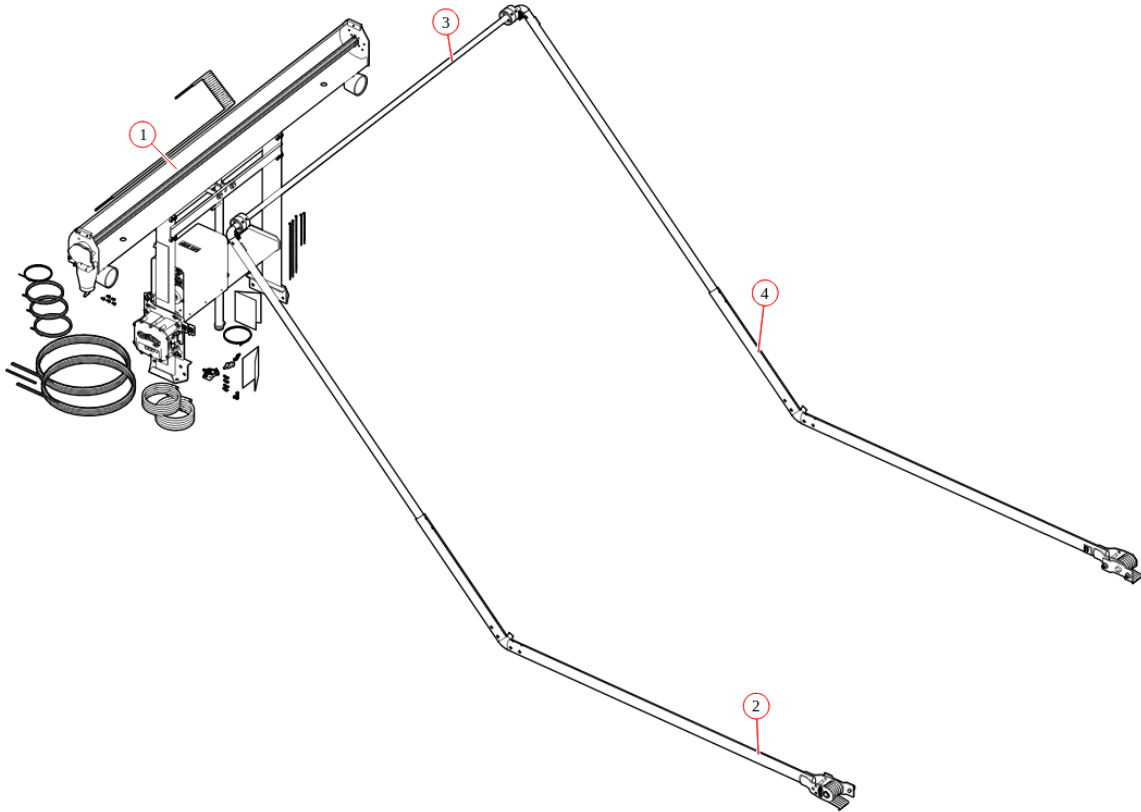
Product #: 69204



Bill of Materials List

69204

69204 Tarp System, DC204 w/5 Spring External Pivot & Narrow Frame Adjustable Tower



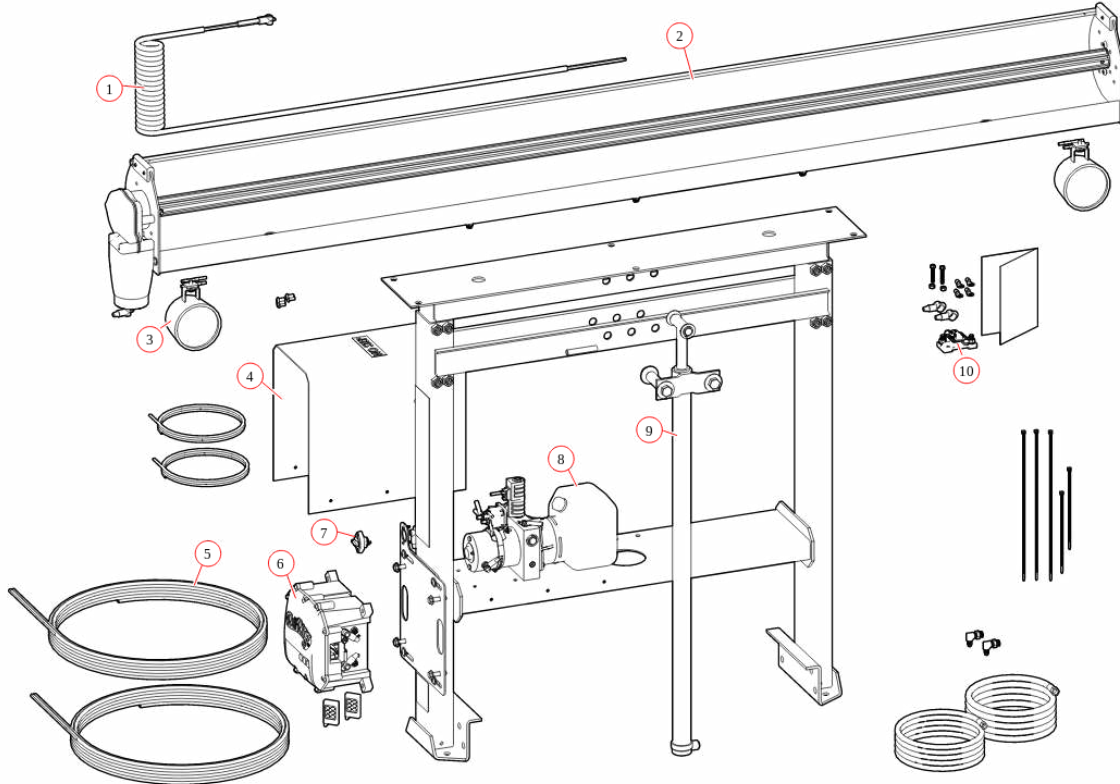
Bom Id	Part #	Description	Qty
1	102875	Tower. TarpMaster Adjustable Narrow Frame w/ Pump & Control Box	1
2	103314	Pivot Set. External Mount 5 spr Drilled for 45 offset	1
3	76720	Bow Set. 103 1/2" Wide Top Tube and 103 1/2" Side Arms	1
4	76916	Pivot. 45 Low Arm Elbow Kit 32" Extension	1



Bill of Materials List

102875

102875 Tower, TarpMaster Adjustable Narrow Frame w/ Pump & Control Box



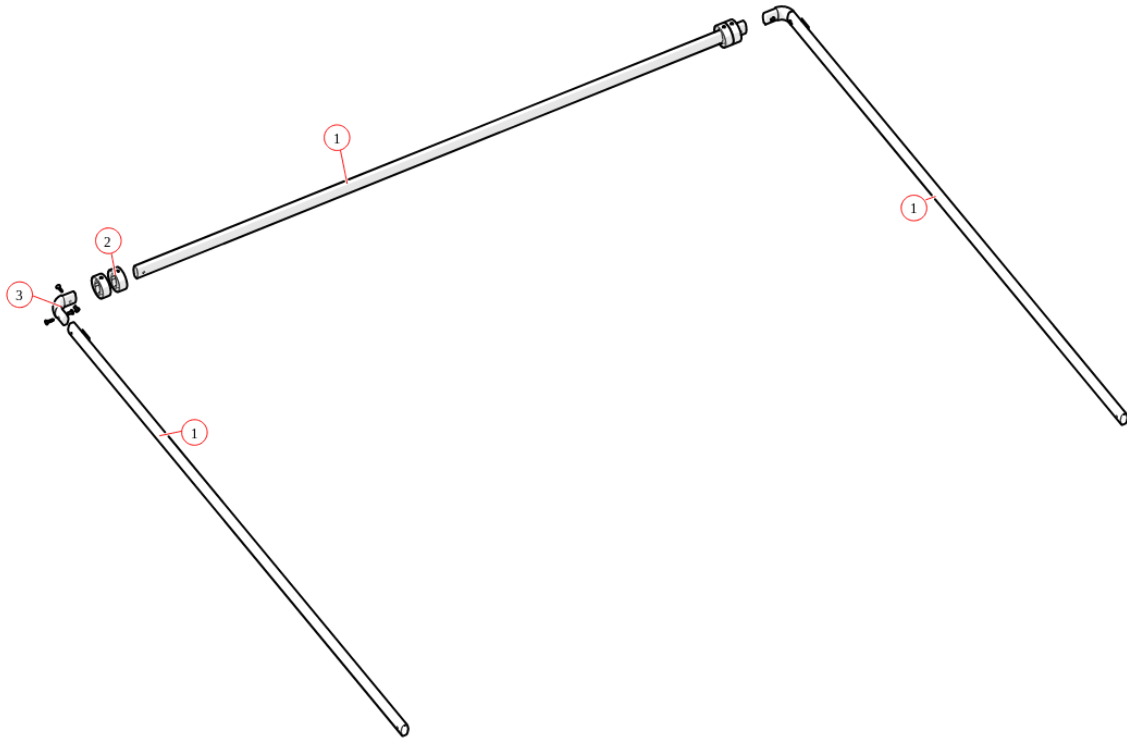
Bom Id	Part #	Description	Qty
1	11328	Wire. 2 Stage Tower Coil 110" - Assembled	1
2	36484	Spool Kit. TarpMaster Tarp Spool w/98" Integrated 98" Housing for 1 Tower	1
3	104103	Light. Work Light LED 12V	2
4	39610	Benlee. Pump Cover. Black Housing for Hydraulic Pump on Towers- HRZ	1
5	11330	Wire. 6 Ga. Dual Conductor - (per ft)	1
6	19865	Control Box. Wireless Black Control Box - 12/24V Waste	1
7	17918	Breaker. 35A Outdoor Manual Reset Circuit Breaker	1
8	39612	Hydraulic Power Unit. 12V. 1 Valve	1
9	39520	Cylinder. 1.5" Bore x 36" Stroke DA. Single Flange Mount	1
10	17913	Breaker. 100 amp Manual Reset Breaker Kit for 24V & 12V Integrated pump	1



Bill of Materials List

76720

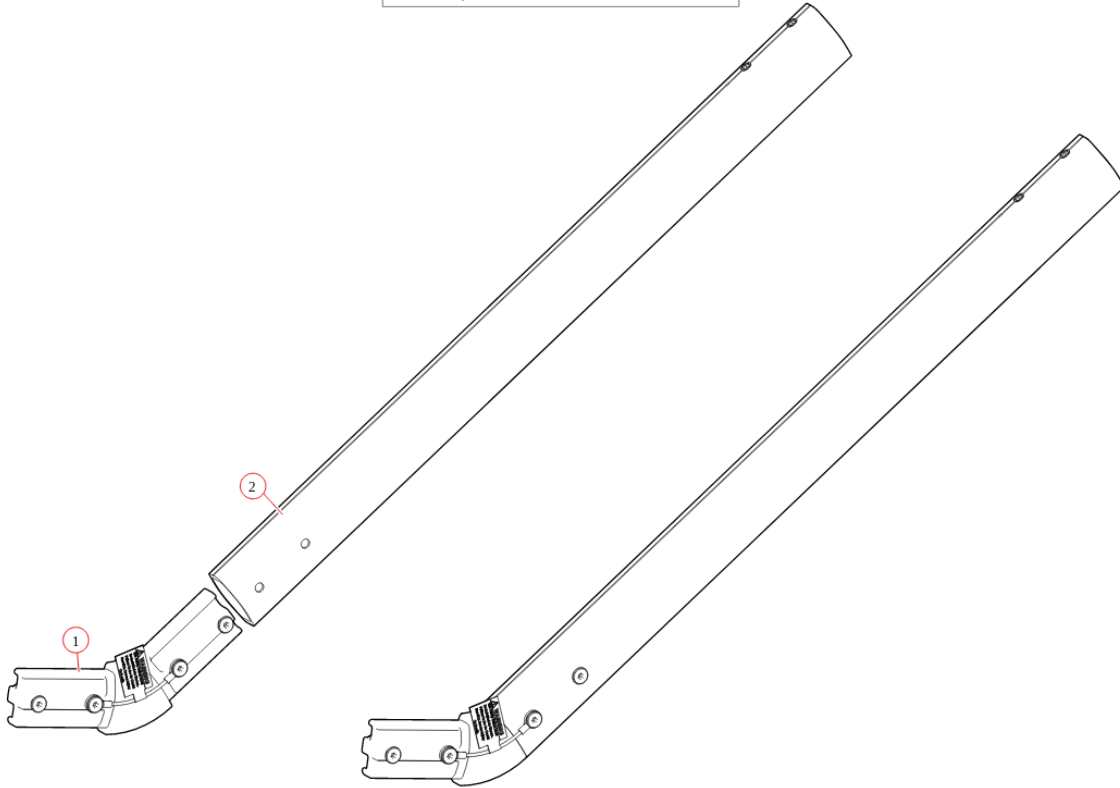
76720 Bow Set, 103 1/2" Wide Top Tube w/ 98" Bow Arms



Bom Id	Part #	Description	Qty
1	76870	Bow Tube. 103 1/2" AL Wide Top Tube for Tarp Bow	3
2	76810	Tarp Flange for Bow Tube (Pair)	2
3	76800	Casting. Aluminum Corner - 90 Degree With Fasteners and Tether	2

76916

76916 Pivot, 45° Low Arm Elbow Kit 32" Extension



Bom Id	Part #	Description	Qty
1	76915	Casting. Extreme Duty 45 Elbow for Pivot Tube	2
2	76917	Pivot. Pivot Tube Extension. 32.5"	2



Bill of Materials List

103314

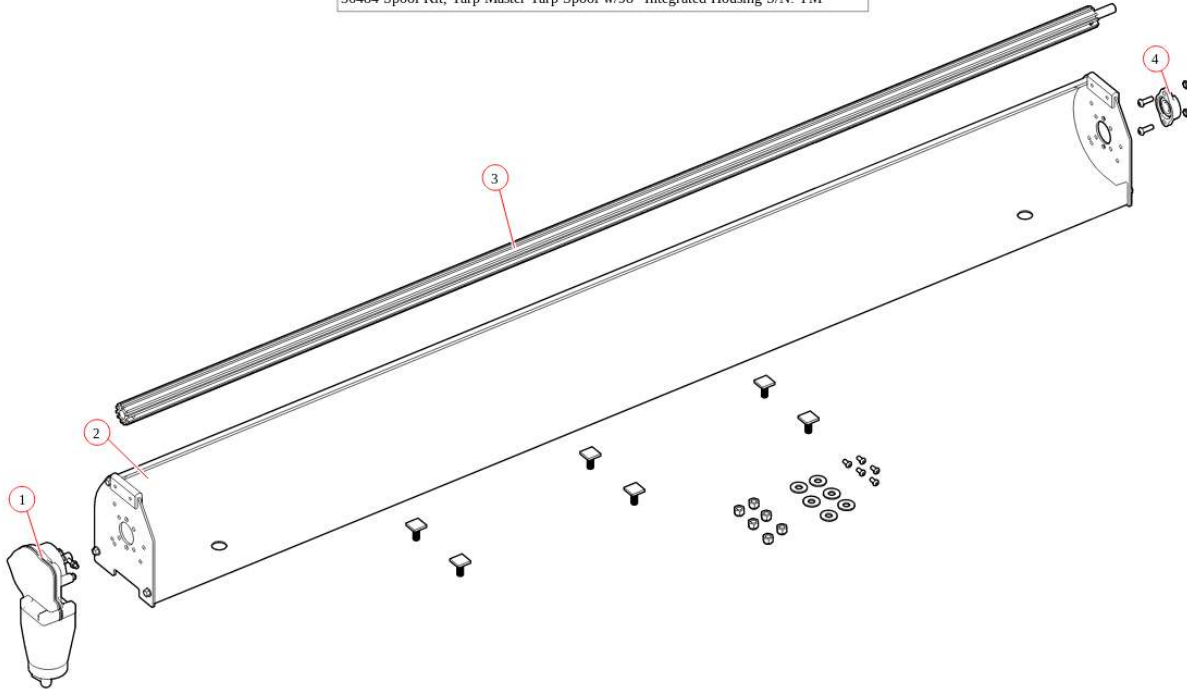
103314 Pivot Set, External Mount 5 spr Drilled for 45 offset



Bom Id	Part #	Description	Qty
1	103315	Pivot. Assembly Arm for 4645D Drilled for 45 offset	1
2	103316	Pivot. Assembly Arm for 4645P Drilled for 45 offset	1

36484

36484 Spool Kit, Tarp Master Tarp Spool w/98" Integrated Housing S/N: TM



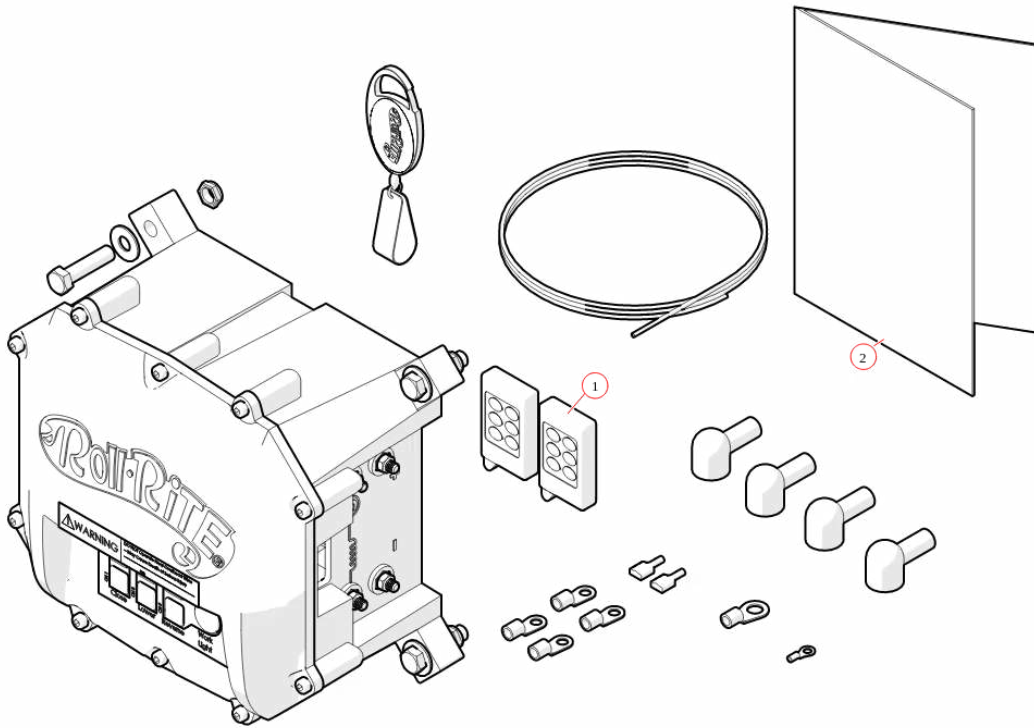
Bom Id	Part #	Description	Qty
1	10310	TarpMaster Motor 12V. 5 Year Warranty :S/N:	1
2	36164	Housing. Spool 98" Aluminum Integrated Housing	1
3	31030	Axle. 97" Pre-Threaded Tarp Axle w/Stub Shaft	1
4	31050	Bearing. 3/4" Flanged Axle Bearing with bolts	1



Bill of Materials List

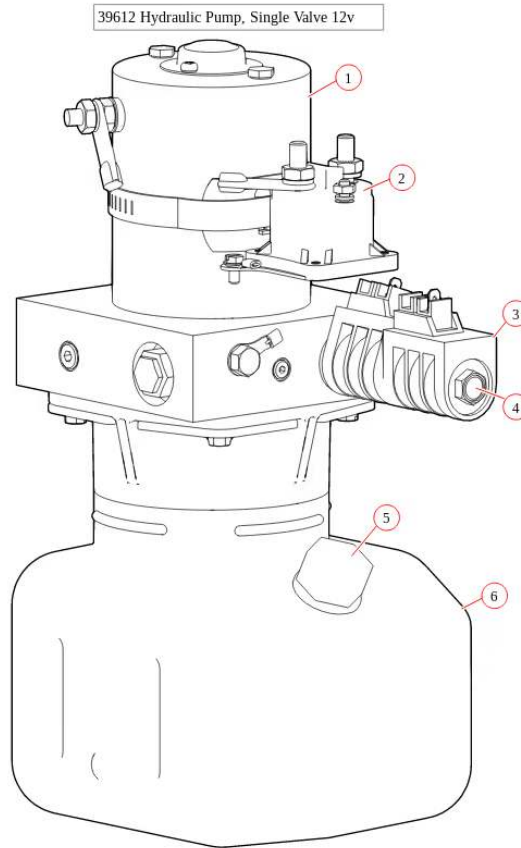
19865

19865 Control Box, wireless Black Control Box for Waste, 12 V



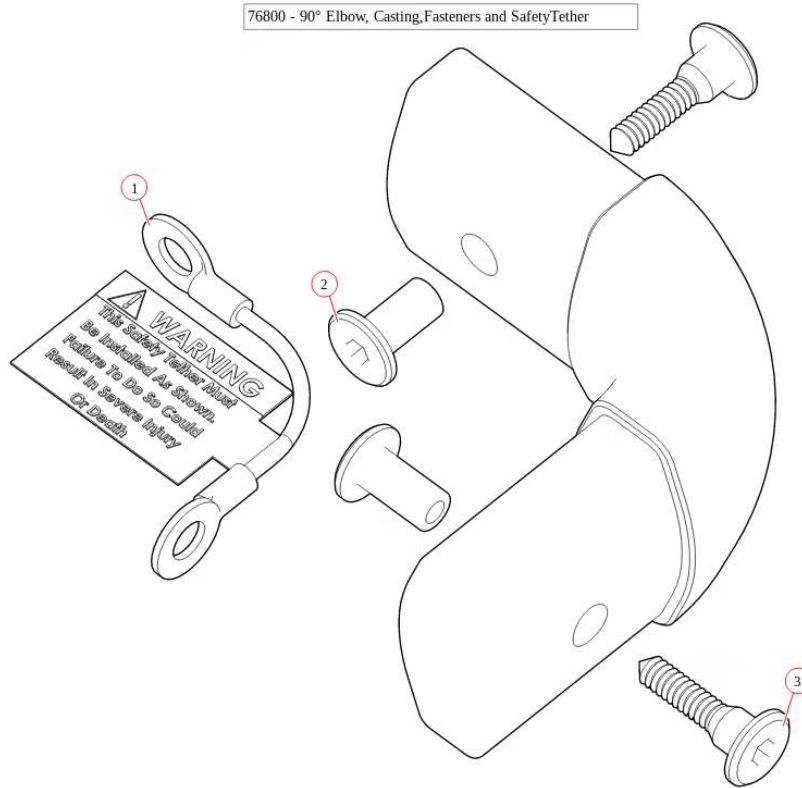
Bom Id	Part #	Description	Qty
1	19801	RF Transmitter/FOB. 433MHz. Gen1 Motor Relay	2
2	101786	Instructions. Push button Control Box	1

39612



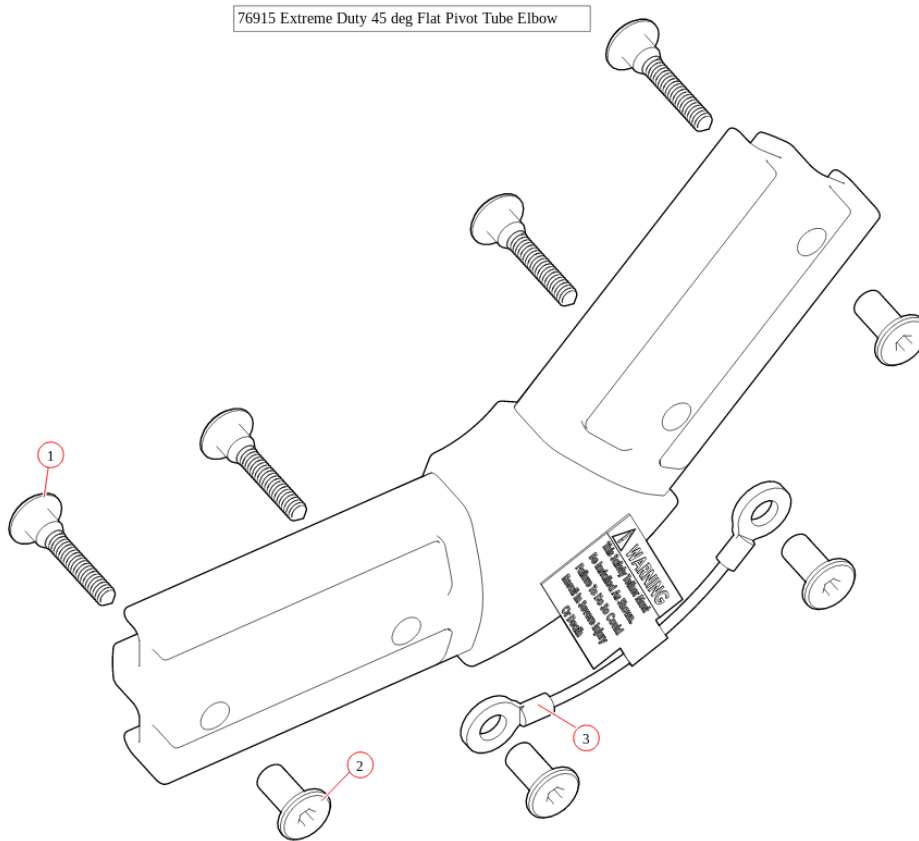
Bom Id	Part #	Description	Qty
1	102832	Motor. Replacement Motor for Hydraulic Pump 12 V (39612 & 39712) MTE39200513	1
2	102079	Solenoid. 12VDC Start Switch for Power Unit (39612 & 39712) MTE39002136	1
3	102078	Coil. 12VDC for Power Unit (39612 & 39712) MTE39002301	2
4	102080	Valve. 3P4W Tandem Center Directional Power Unit (39612)MTE38502324	1
5	102073	Cap Kit (Cap and Rubber Grommet)	1
6	102074	Tank Kit. 1 Gallon MTE	1

76800



Bom Id	Part #	Description	Qty
1	103533	Tether. Cable with Install Label for 90 degree corner	1
2	18719	Nut. 1/4-20 Cap Conn Nut Clear Zinc - Post bolt for 90 degree corners	2
3	18718	Bolt. 1/4-20 x 1 3/16 Bolt Clear Zinc - Post bolt for 90 degree corners	2

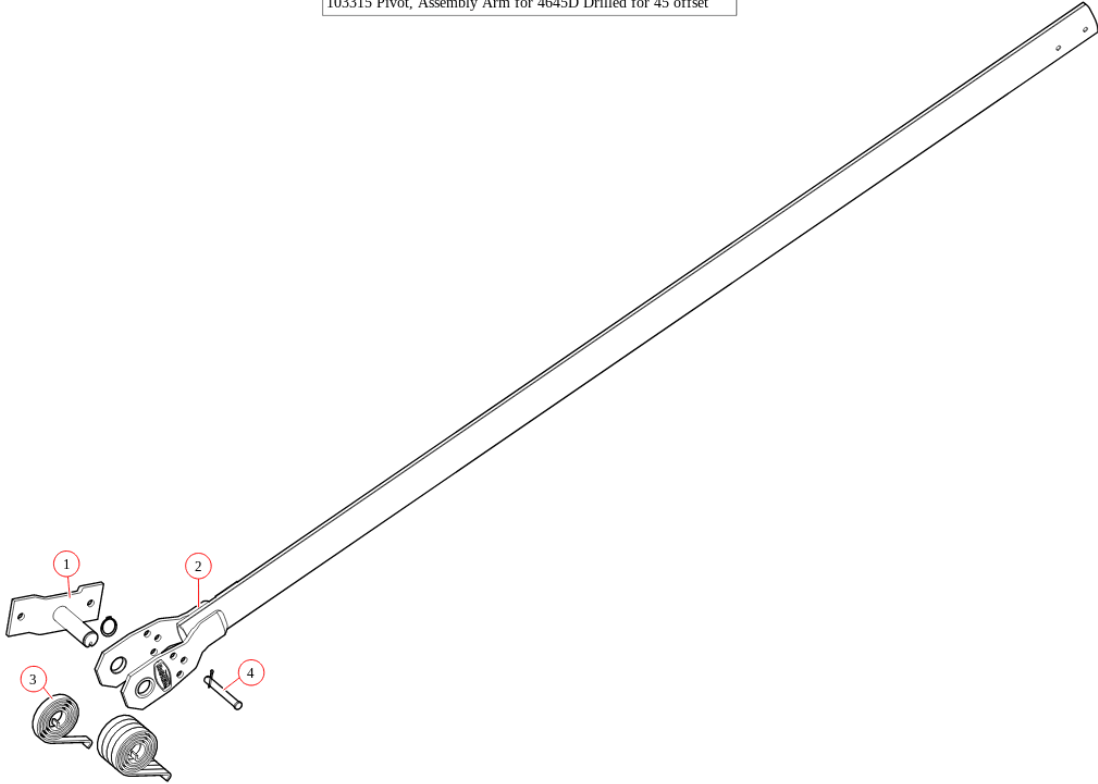
76915



Bom Id	Part #	Description	Qty
1	103306	Bolt. 1/4-20 x 1 9/16 Bolt Clear Zinc - Post bolt for 45 degree extreme corners	4
2	18719	Nut. 1/4-20 Cap Conn Nut Clear Zinc - Post bolt for 90 degree corners	4
3	104205	Tether. Extreme Duty Elbows	1

103315

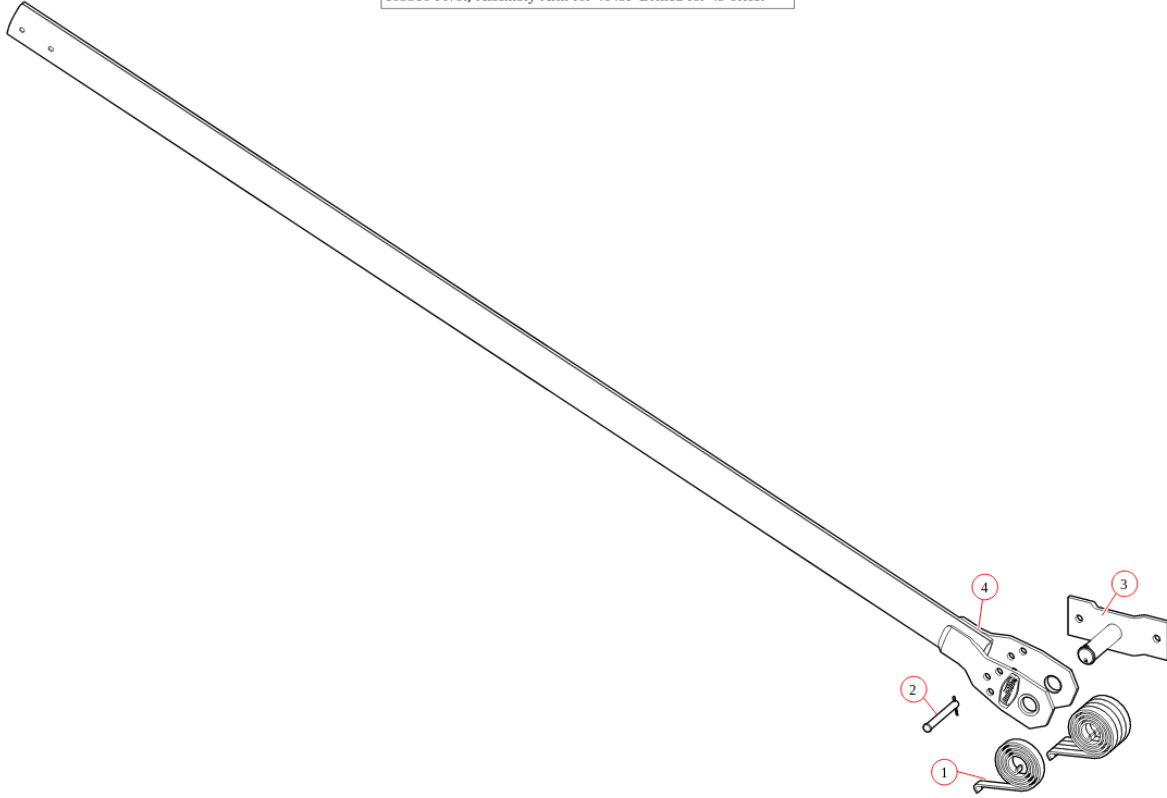
103315 Pivot, Assembly Arm for 4645D Drilled for 45 offset



Bom Id	Part #	Description	Qty
1	45350	Pivot Pin. 5-Spring	1
3	47230	Spring. Spiral Torsion Spring 1 1/4"	5
4	18560	Pin. 1/2 x 4 1/8 Special Clevis	1

103316

103316 Pivot, Assembly Arm for 4645P Drilled for 45 offset



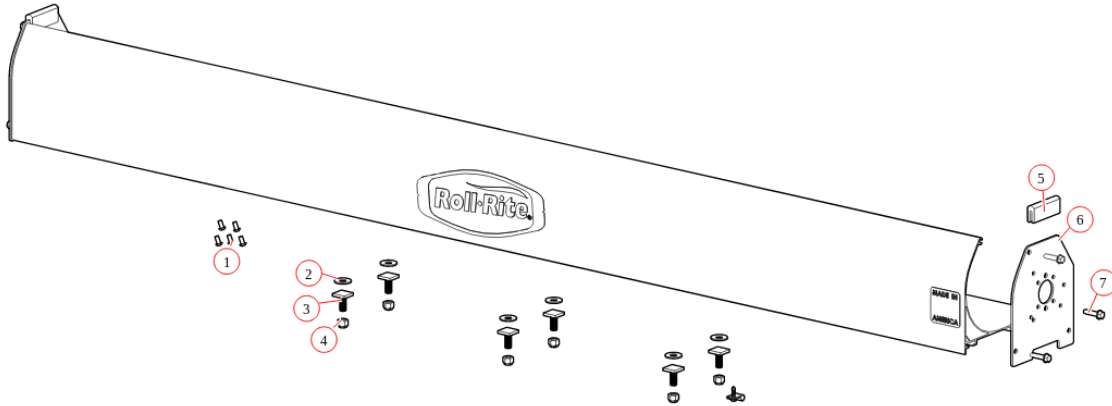
Bom Id	Part #	Description	Qty
1	47230	Spring. Spiral Torsion Spring 1 1/4"	5
2	18560	Pin. 1/2 x 4 1/8 Special Clevis	1
3	45350	Pivot Pin. 5-Spring	1



Bill of Materials List

36164

36164 Housing, Spool 98" Aluminum Integrated Housing



Bom Id	Part #	Description	Qty
1	18260	Bolt. 5/16" x 5/8" Button Head Bolt - Zinc Plated	5
2	18412	Washer. 1/2" Flat Zinc	6
3	18245	Bolt. T-Bolt 1/2-13NCx1.75 for GAB	6
4	18631	Nut. 1/2" Nylock Nut	6
5	36300	Bumper. Rubber Bumper for Tarp Spool (each)	2
6	36331	Bracket. Int Housing Aluminum Endcaps - Drivers Side	2
7	18120	Bolt. 3/8" x 1-1/2" Thread Cutting Screw Hex Washer Hd	6