

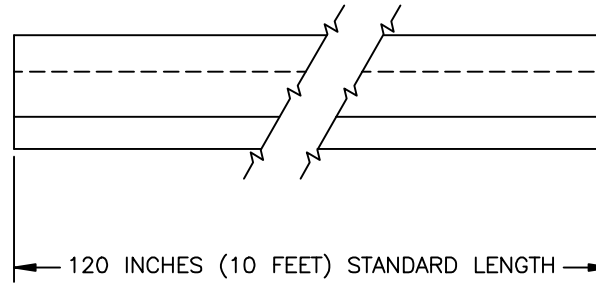
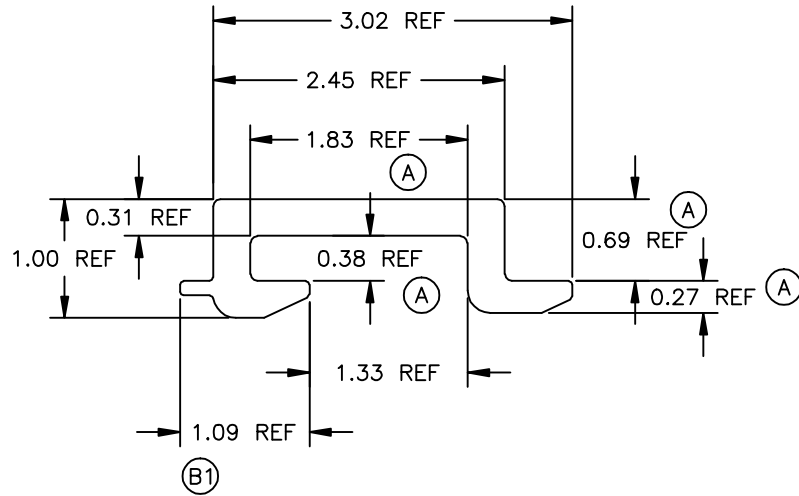
THE INFORMATION DISCLOSED ON THIS DRAWING IS PROPRIETARY AND SHALL NOT BE DISCLOSED, USED OR DUPLICATED FOR PROCUREMENT OR MANUFACTURING PURPOSES WITHOUT THE EXPRESS WRITTEN CONSENT OF KINEDYNE CORPORATION. [DFARS 252.227-7013(B)(2)]

C  
REV

3608  
DRAWING NUMBER

REVISIONS

SYM	DESCRIPTION	DATE	BY	APPR
A	ADDED 1.83, 0.38, 0.69 AND 0.27 REF CC-2070	11/29/95	TK	TK
B	1) ADDED 1.09 REF, 2) REVISED NOTE 1 CC-2166	4-18-96	RW	TK
C	CHANGED REV LEVEL TO MATCH R DWG ECO-6554	6/6/06	BLS	ML



NOTES:

(B2) 1. REFERENCE WEIGHT: 1.71 LBS/FT

ALUMINUM	6061-T6		
MATERIAL	MATERIAL SPEC	FINISH	FINISH SPEC
LIST OF MATERIAL			
DRAWN BY R. WILLIAMS	DATE 11/1/95	 <b>KINEDYNE CORPORATION</b> LAWRENCE, KANSAS, USA	TITLE: SLIDING WINCH TRACK, SERIES "LL"
CHECKED BY T.KNOX	DATE 11/9/95		
APPROVED BY T.KNOX	DATE 11/9/95		
RELEASE NUMBER CC-2070	DATE 11/9/95		
DIMENSIONS ARE IN INCHES	COMPUTER SCALE 1/1		
DO NOT SCALE DRAWING DIMENSIONING AND TOLERANCING PER ANSI Y14.5-1982	TYPE U	SIZE A	FSCM NUMBER ØKHZ6
			DRAWING NUMBER 3608
			REV. C