



## HYDRAULIC SYSTEM!

### STANDARD FEATURES

- Hard-Pipe Cylinders with Nitride Coated Rams
- Flanged Gear Pin Bolts
- Precision Cut and Built Gear and Rack
- High-Quality Roller Bar
- Wide Tower Mount Plates
- Pre-Installed LiteALL™ Mounting Brackets



### SWAT® REPLACEMENT PARTS



Tarp Roller (Pioneer Replacement)  
(P/ND1803805)



Pivot Assembly  
(P/N D1809155(LS)&D1809160 (RS))



Lower Arm Cylinder (36" Stroke) w/  
Hard Pipe (P/N D1808892)



Rack Pivot Cylinder (16" Stroke)  
(P/ND1808890)



Flanged & Bolted Gear Pin  
Secure & Smooth Arm Rotation



Mighty Mesh® Tarps  
(P/N D1801640 & D1801686)

**SWAT® SYSTEM WARRANTY** Warranty against defects in material and workmanship. Steel components: 3 years from original Shur-Co® invoice date. Tarp rollers/spring: 3 years from original Shur-Co® invoice date. Hydraulic valves: 1 year from original Shur-Co® invoice date. Tarp: 90 days from original Shur-Co® invoice date. Warranty details included in SWAT® Owner's Manual.

NO.	DESCRIPTION	DONOVAN P/N
1	"FITS ALL" REPLACEMENT TARP - 8' X 28' MIGHTY MESH®	1801686
2	9'8" X 28' MIGHTY MESH® TARP WITH FLAPS	1801640
3	REPLACEMENT ROLLER BAR	1803805
4	PIVOT GEAR ARM	1808887
5	PIVOT HOSE GUIDE	1809669
6	CYLINDER LOOP STRAP	1808881
7	UPPER ARM	1808874
8	LOWER ARM CYLINDER - 36" STROKE	1808892
9	LOWER ARM	1808879
10	RACK/PIVOT CYLINDER - 16" STROKE	1808890
11	STABILIZER BAR	1808873
12	COMPLETE GEAR/PIVOT ASSEMBLY - LEFT SIDE	1809355
13	COMPLETE GEAR/PIVOT ASSEMBLY - RIGHT SIDE	1809360
14	PIVOT PIN ASSEMBLY	1809168



**DEMAND THE BEST.**

Available at:

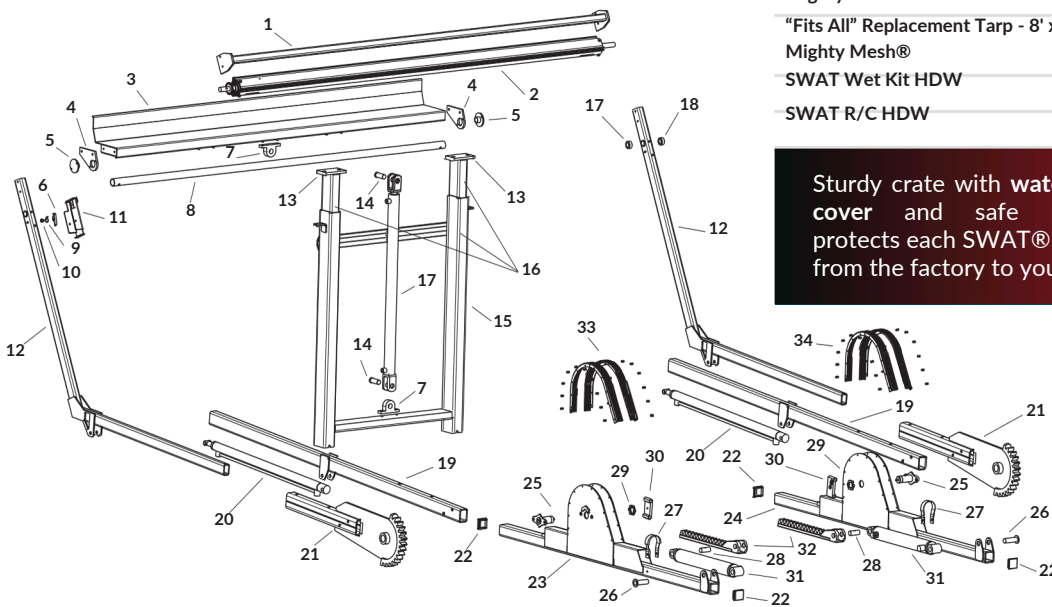
Preferred Donovan™ Brand Seller  
**SHUR-CO® of FLORIDA**  
 3353 SE Gran Park Way, Stuart  
**800-327-8287**  
 Fax: 772-287-0431

Corporate Office/Outlet Store  
**SHUR-CO® of SOUTH DAKOTA**  
 2309 Shur-Lok Street, Yankton  
**877-729-2969**  
 Fax: 605-665-0501



NO.	DESCRIPTION	DONOVAN P/N	COMPETITOR P/N
1	Stabilizer Bar	D1808873	HR4753
2	Replacement Roller Bar	D1803805	H7002C
3	Tarp Roll Base Rest	D1808872	HR4505-2
4	Tarp Tube Bracket	D1808866	HR4756
5	Tarp Tube Cap	D1809148	HR4757
6	Ratchet Pawl	D1809209	HR4788
7	Gantry Cylinder Clevis Eye	D1808869	H7032
8	Tarp Tube	D1808865	HR4758-2
9	Pawl Torsion Spring	D1808851	HR4786
10	Ratchet Pawl Bushing	D1808875	HR4787
11	Ratchet Guard Assembly	D1809009	HR4789
12	Upper Arm	D1808874	HR4751
13	Gantry Telescoping Leg	D1808871	HR4512
14	Clevis Pin - 1" OD	D1809013	H7062
15	Gantry Base Frame	D1808868	HR4515
16	Gantry Base Assembly	D1809687	HR4511
17	Gantry Cylinder - 36" Stroke	D1808891	HR4520
18	1" Shaft Locking Collar	D1808855	HR4624
19	Lower Arm	D1808879	HR4750

NO.	DESCRIPTION	DONOVAN P/N	COMPETITOR P/N
20	Lower Arm Cylinder - 36" Stroke	D1808892	HR4752
21	Pivot Gear Arm	D1808887	HR4760
22	Square End Plug	D1808846	HR4548A
23	Complete Gear/Pivot Assembly - Left Side	D1809355	HR4762A
24	Complete Gear/Pivot Assembly - Right Side	D1809360	HR4761A
25	Pivot Pin Assembly	D1809168	A3881
26	Rack Cylinder Mounting Pin	D1808883	A3883
27	Cylinder Loop Strap	D1808881	HR4731
28	Rack Cylinder Connecting Pin	D1809014	D18836
29	Castle Nut	D1809169	HR4785
30	Pivot Hose Guide	D1808859	HR4728
31	Rack/Pivot Cylinder - 16" Stroke	D1808890	HR4719
32	Rack Gear	D1808886	D1809366
33	Brush Weldments - Left	D1809367	N/A
34	Brush Weldments - Right	D1809367	N/A
	Replacement Tarp - 9'8" x 28' Mighty Mesh®	D1801640	HR4616
	"Fits All" Replacement Tarp - 8' x 28' Mighty Mesh®	D1801686	N/A
	SWAT Wet Kit HDW	D1809232	N/A
	SWAT R/C HDW	D1809398	N/A



Sturdy crate with **waterproof cover** and **safe packing** protects each SWAT® system from the factory to your door.





3955 FM 137 Paris, Texas 75460  
[team@trisontarps.ca](mailto:team@trisontarps.ca)



### SWAT® SYSTEM

- Secures pivot pinstopivotplates
- Eliminates gear wobble
- Prevents pin loss
- Allows smooth gear rotation
- Designed to increase UPTIME!

#### BOLTED FLANGE GEAR PIN



GEAR & RACK

- Gear teeth manufactured to 1/32" tolerance for extreme precision
- Prevents slippage, twisting, and "gear slop"!
- Smooth, synchronous arm movement
- Designed to increase UPTIME!



- Our most highly demanded fabric for Waste applications
- Well-known in the industry for maximum quality and durability
- Designed to increase UPTIME!

#### MIGHTY MESH™ TARP



- Hard-pipe lower arm cylinder
- Reduce hose-related issues and spills
- Nitride coated rods help prevent chipping and pitting
- Clean, professional appearance • Designed to increase UPTIME!

#### HARD-PIPE CYLINDERS



- Self-contained electric over hydraulic remote upgrade
- Increased driver safety and retention
- Isolates tarp system's hydraulics from truck's hydraulics
- Only steel arm system in the market that can be operated by remote

#### SELF-CONTAINED REMOTE UPGRADE (OPTIONAL)



### COMPETITION

#### GEAR PIN



- No flanged and bolted gear pin
- Pins can loosen and fall out
- Customers may resort to welding a makeshift pin (see photo)
- May cause more downtime

#### GEAR & RACK



- End users report loose gears / "slop"
- Can exhibit uneven arm deployment due to increasingly loose gears
- Pivot plates can splay apart as loosening of pin and gears compounds (see photo)
- Arm and gear "slop" can reduce life of cylinders and tarp roller bars
- May cause more downtime

#### TARP



- NOT Mighty Mesh™ Tarp
- Can cause shorter tarp life
- Shorter tarp life = higher replacement costs
- May cause more downtime

#### FLEXIBLE HOSE



- Loose hose under the lower arm cylinder
- Flexible hose more susceptible to being cut, damaged or pulled away by debris in container
- May cause more downtime

#### REMOTE OPTION NOT AVAILABLE

- No remote option offered.

Not available.

NO.	DESCRIPTION	DONOVAN P/N	COMPETITOR P/N
1	Stabilizer Bar	D1808873	HR4753
2	Replacement Roller Bar	D1803805	H7002C
3	Tarp Roll Base Rest	D1808872	HR4505-2
4	Tarp Tube Bracket	D1808866	HR4756
5	Tarp Tube Cap	D1809148	HR4757
6	Ratchet Pawl	D1809209	HR4788
7	Gantry Cylinder Clevis Eye	D1808869	H7032
8	Tarp Tube	D1808865	HR4758-2
9	Pawl Torsion Spring	D1808851	HR4786
10	Ratchet Pawl Bushing	D1808875	HR4787
11	Ratchet Guard Assembly	D1809009	HR4789
12	Upper Arm	D1808874	HR4751
13	Gantry Telescoping Leg	D1808871	HR4512
14	Clevis Pin - 1" OD	D1809013	H7062
15	Gantry Base Frame	D1808868	N/A
16	Gantry Cylinder - 36" Stroke	D1808891	HR4520
17	1" Shaft Locking Collar	D1808855	HR4624
18	Lower Arm	D1808879	HR4750

NO.	DESCRIPTION	DONOVAN P/N	COMPETITOR P/N
19	Lower Arm Cylinder - 36" Stroke	D1808892	HR4752
20	Pivot Gear Arm	D1808887	HR4760
21	Square End Plug	D1808846	HR4548A
22	Complete Gear/Pivot Assembly - Left Side	D1809355	HR4762A
23	Complete Gear/Pivot Assembly - Right Side	D1809360	HR4761A
24	Rack Cylinder Mounting Pin	D1809168	A3881
25	Cylinder Loop Strap	D1808883	A3883
26	Rack Cylinder	D1808881	HR4731
27	Connecting Pin	D1809014	D18836
28	Castle Nut	D1809169	HR4785
29	Pivot Hose Guide	D1808859	HR4728
30	Rack/Pivot Cylinder - 16" Stroke	D1808890	HR4719
31	Rack Gear	D1808886	HR4719
32	Brush Weldments - Left	D1809366	A3868B
33	Brush Weldments - Right	D1809367	N/A
34	Gantry w/ Telescopic Legs	D1809687	N/A

Replacement Tarp - 9'8" x 28' Mighty Mesh®	D1801640	HR4616
"Fits All" Replacement Tarp - 8' x 28' Mighty Mesh®	D1801686	N/A
SWAT Wet Kit HDW	D1809232	N/A
SWAT R/C HDW	D1809398	N/A

